

NOTES:

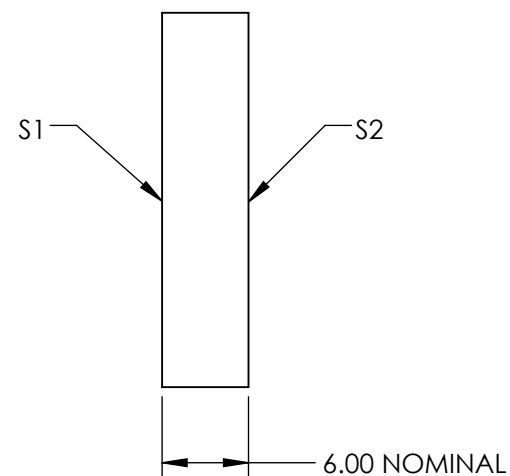
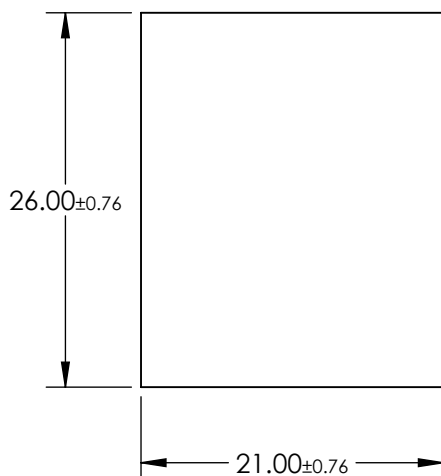
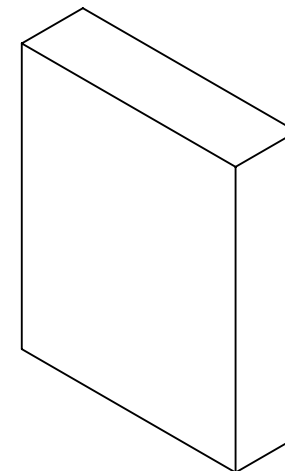
1. SUBSTRATE MATERIAL:  
FLOAT GLASS

2. COATING (APPLY ACROSS CLEAR APERTURE)

S1: R(avg) >85% @ 400 - 700nm

S2: NONE

3. ROHS COMPLIANT

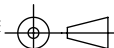


**FOR INFORMATION ONLY:  
DO NOT MANUFACTURE  
PARTS TO THIS DRAWING**

SPECIFICATIONS SUBJECT TO CHANGE WITHOUT NOTICE  
DIMENSIONS ARE FOR REFERENCE ONLY

| REV. A             | S1                   | S2                   |
|--------------------|----------------------|----------------------|
| SHAPE              | PLANO                | PLANO                |
| ANGLE OF INCIDENCE | 45°                  | N/A                  |
| SURFACE QUALITY    | 80-50                | 80-50                |
| SURFACE FLATNESS   | 4 - 6λ               | 4 - 6λ               |
| BEVEL              | PROTECTIVE AS NEEDED | PROTECTIVE AS NEEDED |

THIRD ANGLE  
PROJECTION



ALL DIMS IN

mm



TITLE

21 x 26mm, 4-6λ Mirror

DWG NO

40286

SHEET  
1 OF 1