

NOTES:

1. SUBSTRATE MATERIAL:  
BOROFLOAT®

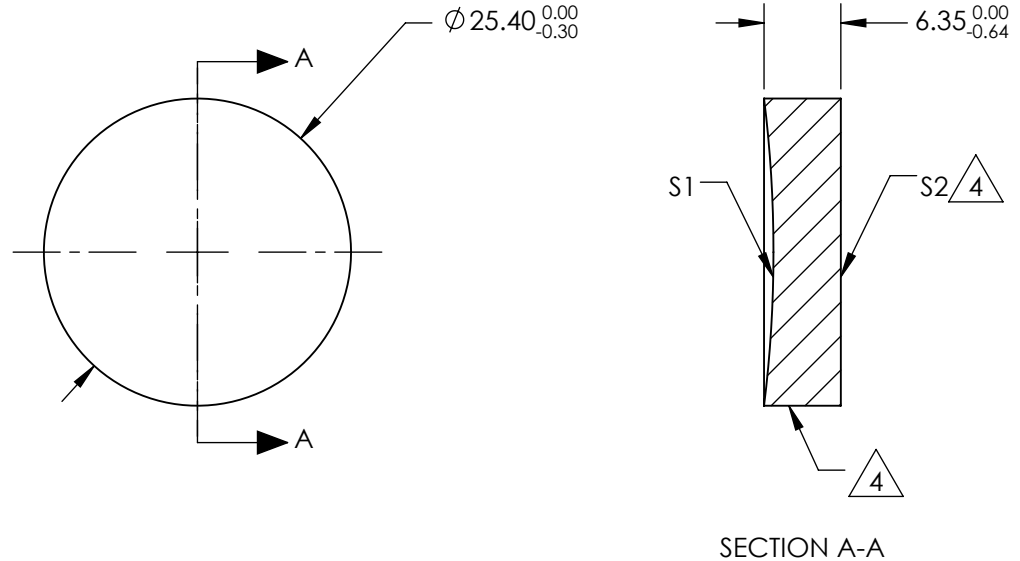
2. COATING (APPLY ACROSS CLEAR APERTURE)

S1: NONE  
S2: NONE

3. POWER, IRREGULARITY, SURFACE QUALITY, AND COATING  
SPECIFICATIONS APPLY ACROSS CLEAR APERTURE

△ FINE GROUND SURFACE

5. ROHS COMPLIANT

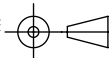


**FOR INFORMATION ONLY:  
DO NOT MANUFACTURE  
PARTS TO THIS DRAWING**

SPECIFICATIONS SUBJECT TO CHANGE WITHOUT NOTICE  
DIMENSIONS ARE FOR REFERENCE ONLY

REV. A	S1	S2
SHAPE	CONCAVE	PLANO
EFFECTIVE FOCAL LENGTH	50.8mm	N/A
FOCAL LENGTH TOLERANCE	±2%	N/A
APERTURE	f/2	N/A
SURFACE QUALITY	60-40	60-40
SURFACE FLATNESS	$\lambda/4$	$\lambda/4$
BEVEL	PROTECTIVE AS NEEDED	PROTECTIVE AS NEEDED

THIRD ANGLE  
PROJECTION



ALL DIMS IN

mm

**EO**® Edmund Optics®

TITLE

Ø1in, 2in FL UNCOATED, SPHERICAL MIRROR

DWG NO

43338

SHEET  
1 OF 1