

NOTES:

1. SUBSTRATE MATERIAL:  
BOROFLOAT®

2. COATING (APPLY ACROSS CLEAR APERTURE)

S1: PROTECTED ALUMINUM

R(avg) >85% @ 400 - 700nm

R(avg) >90% @ 400 - 2000nm

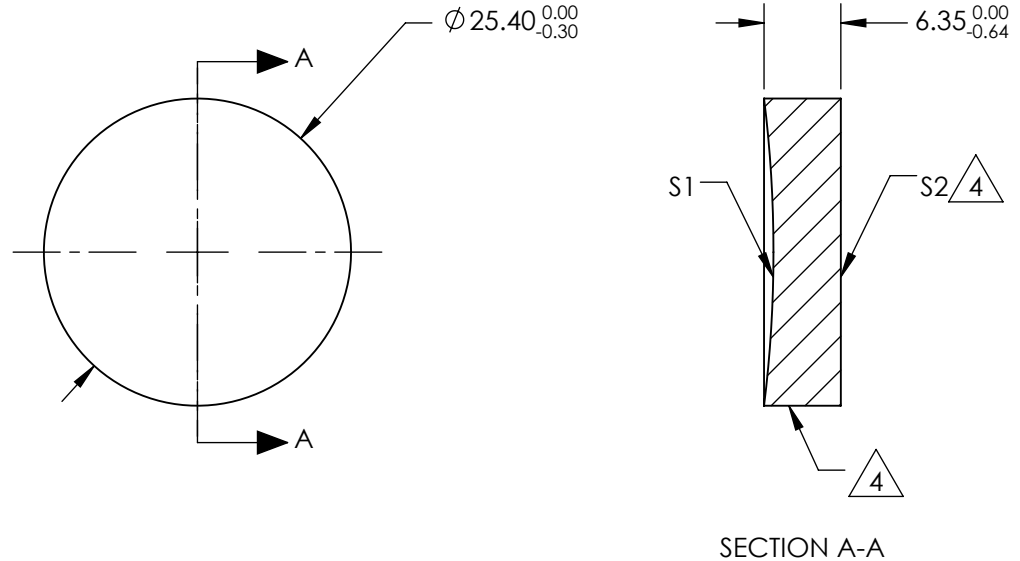
DENSITY LIMIT: 0.3 J/cm<sup>2</sup> @ 532nm & 1064nm, 10ns

S2: NONE

3. POWER, IRREGULARITY, SURFACE QUALITY, AND COATING SPECIFICATIONS APPLY ACROSS CLEAR APERTURE

 FINE GROUND SURFACE

5. ROHS COMPLIANT

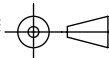


**FOR INFORMATION ONLY:  
DO NOT MANUFACTURE  
PARTS TO THIS DRAWING**

SPECIFICATIONS SUBJECT TO CHANGE WITHOUT NOTICE  
DIMENSIONS ARE FOR REFERENCE ONLY

REV. A	S1	S2
SHAPE	CONCAVE	PLANO
EFFECTIVE FOCAL LENGTH	50.8mm	N/A
FOCAL LENGTH TOLERANCE	±2%	N/A
APERTURE	f/2	N/A
SURFACE QUALITY	60-40	60-40
SURFACE FLATNESS	$\lambda/4$	$\lambda/4$
BEVEL	PROTECTIVE AS NEEDED	PROTECTIVE AS NEEDED

THIRD ANGLE  
PROJECTION



ALL DIMS IN

mm

 **Edmund Optics®**

Ø1in, 2in FL PROTECTED ALUMINUM,  
SPHERICAL MIRRORS

TITLE

DWG NO

43339

SHEET  
1 OF 1