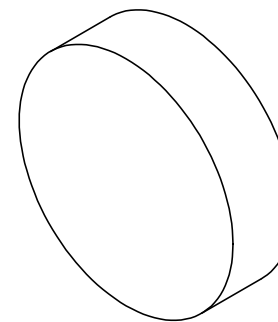


NOTES:

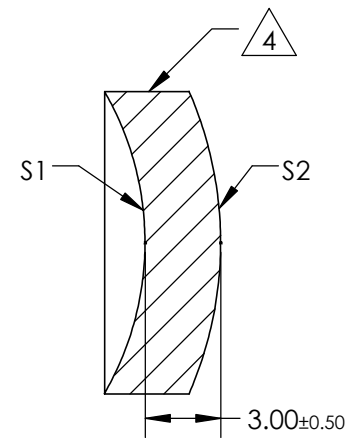
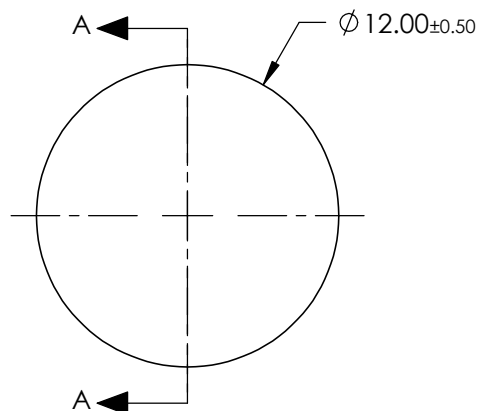
1. SUBSTRATE MATERIAL: N-BK7
2. COATING (APPLY ACROSS CLEAR APERTURE)  
Protected Aluminum  
S1: R(avg) >85% @ 400 - 700nm  
R(avg) >90% @ 400 - 2000nm  
S2: NONE
3. POWER, IRREGULARITY, SURFACE QUALITY AND COATING SPECIFICATIONS APPLY ACROSS CLEAR APERTURE

**FOR INFORMATION ONLY:  
DO NOT MANUFACTURE  
PARTS TO THIS DRAWING**



4. FINE GRIND SURFACE

5. RoHS EXEMPT

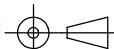


SECTION A-A

SPECIFICATIONS SUBJECT TO CHANGE WITHOUT NOTICE  
DIMENSIONS ARE FOR REFERENCE ONLY

REV. A	S1	S2
SHAPE	CONCAVE	CONCAVE
RADIUS	12.00	12.00
EFFECTIVE FOCAL LENGTH	6mm	N/A
FOCAL LENGTH TOLERANCE	±2%	N/A
SURFACE QUALITY	80-50	FINE GROUND
SURFACE FLATNESS	COMMERCIAL POLISH	N/A
BEVEL	PROTECTIVE AS NEEDED	PROTECTIVE AS NEEDED

THIRD ANGLE PROJECTION



ALL DIMS IN

mm

**EO**® **Edmund Optics**®

TITLE

12mm Dia. x 6mm FL Protected Aluminum,  
Concave Mirror

DWG NO

43462

SHEET  
1 OF 1