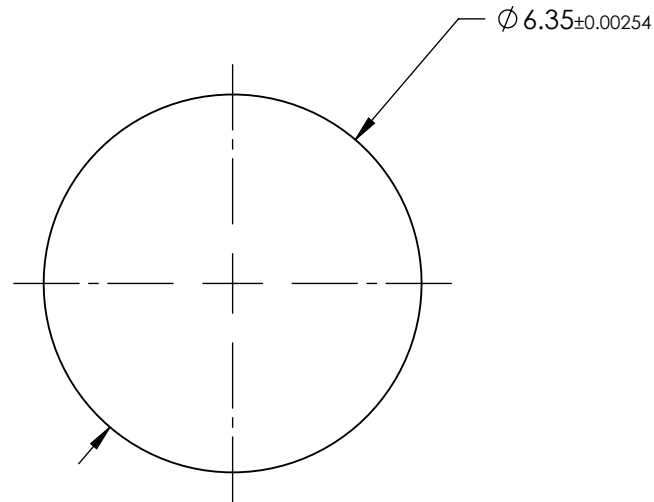


NOTES:

1. SUBSTRATE MATERIAL:
RUBY DOPED SAPPHIRE (Al₂O₃)
2. COATING - NONE
3. FINISH: POLISHED
4. SPHERICITY:
0.64μm
5. RoHS COMPLIANT



SPECIFICATIONS SUBJECT TO CHANGE WITHOUT NOTICE
DIMENSIONS ARE FOR REFERENCE ONLY

**FOR INFORMATION ONLY:
DO NOT MANUFACTURE
PARTS TO THIS DRAWING**

 **Edmund Optics®**

| | | | | |
|--|----|--------|---------------------------------|-----------------|
| THIRD ANGLE PROJECTION  | | TITLE | 6.35mm DIAMETER, RUBY BALL LENS | |
| ALL DIMS IN | mm | DWG NO | 43832 | SHEET 1 OF 1 |