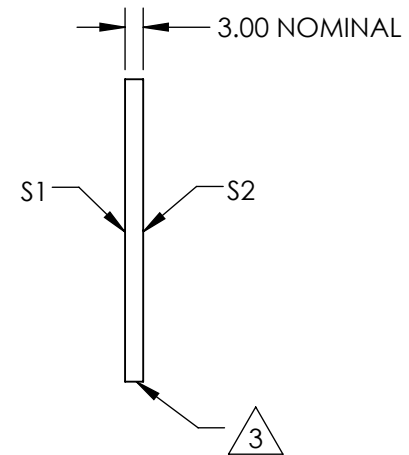
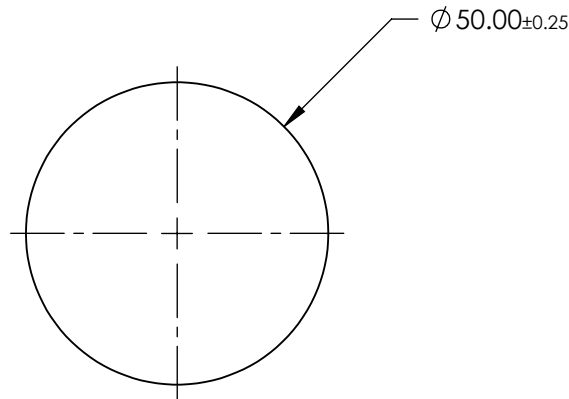
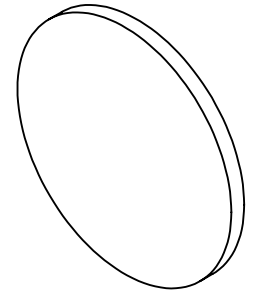


NOTES:

1. SUBSTRATE:  
B270
2. COATING (APPLY ACROSS CLEAR APERTURE)  
S1&S2: R(AVG) ≤1.50% @ 632.8nm (N-BK7)

3. FINE GRIND SURFACE

4. RoHS COMPLIANT



**FOR INFORMATION ONLY:  
DO NOT MANUFACTURE  
PARTS TO THIS DRAWING**

SPECIFICATIONS SUBJECT TO CHANGE WITHOUT NOTICE  
DIMENSIONS ARE FOR REFERENCE ONLY

**EO**® Edmund Optics®

	S1	S2
SHAPE	PLANO	PLANO
SURFACE QUALITY	60-40	60-40
SURFACE FLATNESS	1λ	1λ
BEVEL	PROTECTIVE AS NEEDED	PROTECTIVE AS NEEDED



ALL DIMS IN mm

TITLE

50mm DIAMETER MGF2 COATED, B270 WINDOW

DWG NO

45572

SHEET 1 OF 1