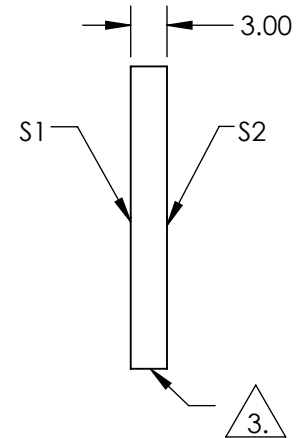
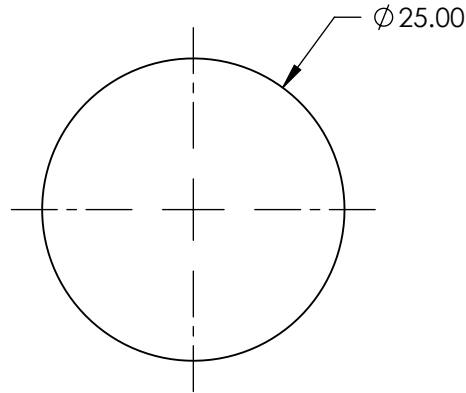
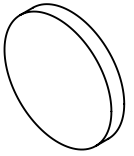


NOTES:

1. SUBSTRATE:
BOROFLOAT®
2. COATING SPECIFICATION:
S1: Enhanced Aluminum (250-700nm)
R(AVG) >89% @ 250 - 450nm
R(AVG) >85% @ 250 - 700nm
3. FINE GROUND SURFACE
4. ROHS COMPLIANT



**FOR INFORMATION ONLY:
DO NOT MANUFACTURE
PARTS TO THIS DRAWING**

SPECIFICATIONS SUBJECT TO CHANGE WITHOUT NOTICE
DIMENSIONS ARE FOR REFERENCE ONLY

| | | | | | | | | | |
|-----------------|----------------------|----------------------|-------------|----------------------------------------------------|--|--|--------|-------|-----------------|
| | S1 | S2 | | | | | | | |
| SHAPE | PLANO | PLANO | | | | | | | |
| SURFACE QUALITY | 60-40 | COMMERCIAL POLISH | TITLE | 25mm Dia. UV Enhanced Aluminum, $\lambda/4$ Mirror | | | DWG NO | 45605 | SHEET 1 OF 1 |
| CLEAR APERTURE | $\lambda/4$ | N/A | ALL DIMS IN | mm | | | | | |
| BEVEL | PROTECTIVE AS NEEDED | PROTECTIVE AS NEEDED | | | | | | | |