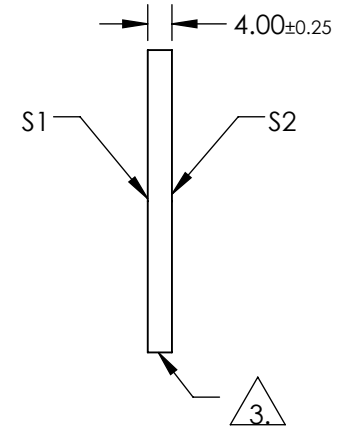
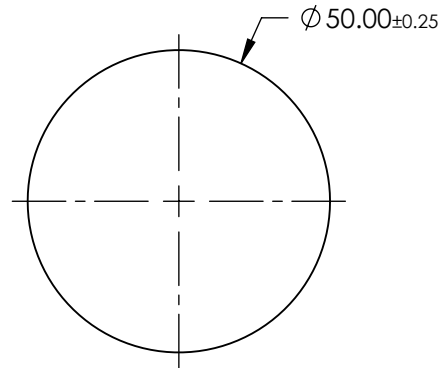
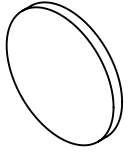


NOTES:

1. SUBSTRATE:  
BOROFLOAT®
2. COATING SPECIFICATION:  
S1: Protected Gold (700-1000nm)  
R(AVG) >96% @ 700 - 2000nm  
R(AVG) >96% @ 2000 - 10,000nm
3. FINE GROUND SURFACE
4. ROHS COMPLIANT



**FOR INFORMATION ONLY:  
DO NOT MANUFACTURE  
PARTS TO THIS DRAWING**

SPECIFICATIONS SUBJECT TO CHANGE WITHOUT NOTICE  
DIMENSIONS ARE FOR REFERENCE ONLY

	S1	S2
SHAPE	PLANO	PLANO
SURFACE QUALITY	60-40	COMMERCIAL POLISH
CLEAR APERTURE	$\lambda/4$	N/A
BEVEL	PROTECTIVE AS NEEDED	PROTECTIVE AS NEEDED



ALL DIMS IN mm

**EO**® Edmund Optics®

TITLE

50mm Dia. Protected Gold,  $\lambda/4$  Mirror

DWG NO

45609

SHEET  
1 OF 1