

NOTES:

1. SUBSTRATE: N-BK7

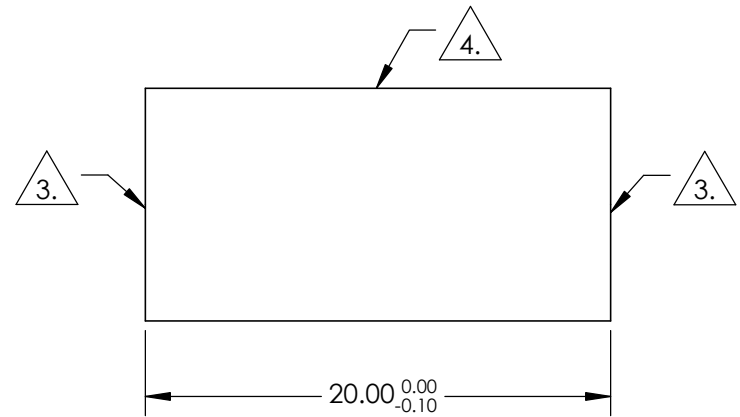
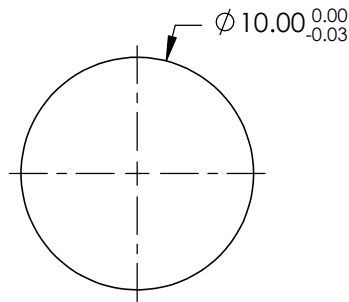
2. COEFFICIENT OF THERMAL EXPANSION:

$$CTE = n/\alpha$$

 FINE GRIND SURFACE

 POLISHED SURFACE

4. RoHS COMPLIANT

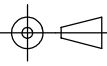


SIDE VIEW

**FOR INFORMATION ONLY:  
DO NOT MANUFACTURE  
PARTS TO THIS DRAWING**

SPECIFICATIONS SUBJECT TO CHANGE WITHOUT NOTICE  
DIMENSIONS ARE FOR REFERENCE ONLY

REV. A	
WAVELENGTH RANGE (nm)	350 - 2200
SURFACE QUALITY 	40-20
TYPE	ROD LENS
BEVEL	PROTECTIVE AS NEEDED

THIRD ANGLE PROJECTION 

ALL DIMS IN mm

 **Edmund Optics®**

TITLE	Ø10mm x 20mm , N-BK7 ROD LENS		
DWG NO	45943	SHEET	1 OF 1