

NOTES:

1. SUBSTRATE: N-BK7

2. COATING

S1: PROTECTED ALUMINUM

R(avg) >85% @ 400 - 700nm

DENSITY LIMIT : 0.3 J/cm<sup>2</sup> @ 532nm & 1064nm, 10ns

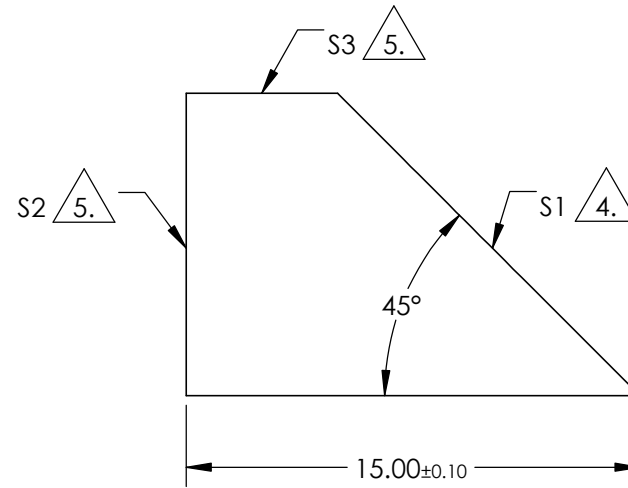
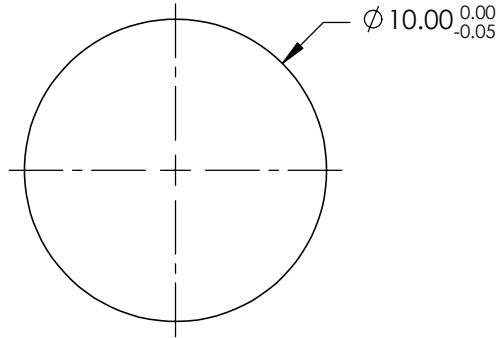
S2: UNCOATED

S3: UNCOATED

3. RoHS COMPLIANT

4. POLISHED SURFACE

5. FINE GRIND SURFACE

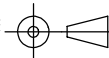


**FOR INFORMATION ONLY:  
DO NOT MANUFACTURE  
PARTS TO THIS DRAWING**

SPECIFICATIONS SUBJECT TO CHANGE WITHOUT NOTICE  
DIMENSIONS ARE FOR REFERENCE ONLY

REV. A	S1	S2, S3
ANGLE TOLERANCE (arcmin)	±10	±10
WAVELENGTH RANGE (nm)	400 - 700	N/A
SURFACE QUALITY	40-20	N/A
BEVEL	PROTECTIVE AS NEEDED	PROTECTIVE AS NEEDED

THIRD ANGLE PROJECTION



ALL DIMS IN

mm

**EO**® Edmund Optics®

TITLE

Ø10mm, 45°, ALUMINUM COATED, ROD LENS

DWG NO

45944

SHEET  
1 OF 1