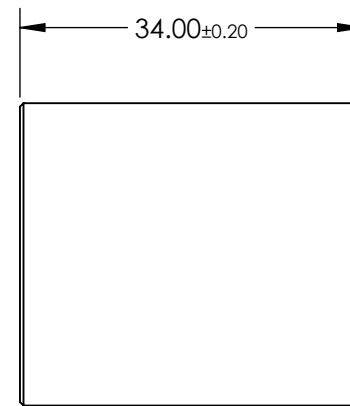
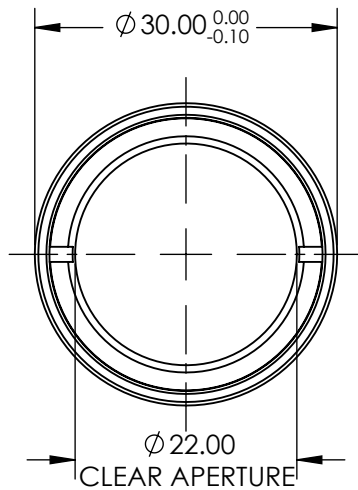
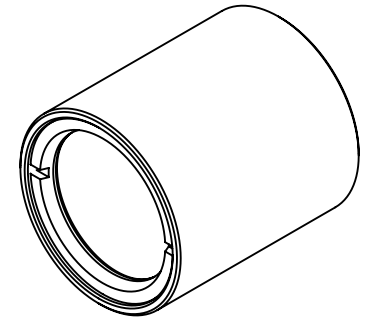


NOTES:

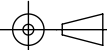
1. ELEMENT A: 32323
2. ELEMENT B: 32325



SPECIFICATIONS SUBJECT TO CHANGE WITHOUT NOTICE
 DIMENSIONS ARE FOR REFERENCE ONLY

**FOR INFORMATION ONLY:
 DO NOT MANUFACTURE
 PARTS TO THIS DRAWING**

EO® Edmund Optics®

| | | | | |
|--|----|--------|---|-----------------|
| THIRD ANGLE PROJECTION  | | TITLE | 1:1.5 WITH 50mm AND 75mm EFL ACHROMATS, 30mm ACHROMATIC PAIR | |
| ALL DIMS IN | mm | DWG NO | 46012 | SHEET 1 OF 1 |