

NOTES:

1. SUBSTRATE MATERIAL:
N-BK7

2. COATING (APPLY ACROSS CLEAR APERTURE)

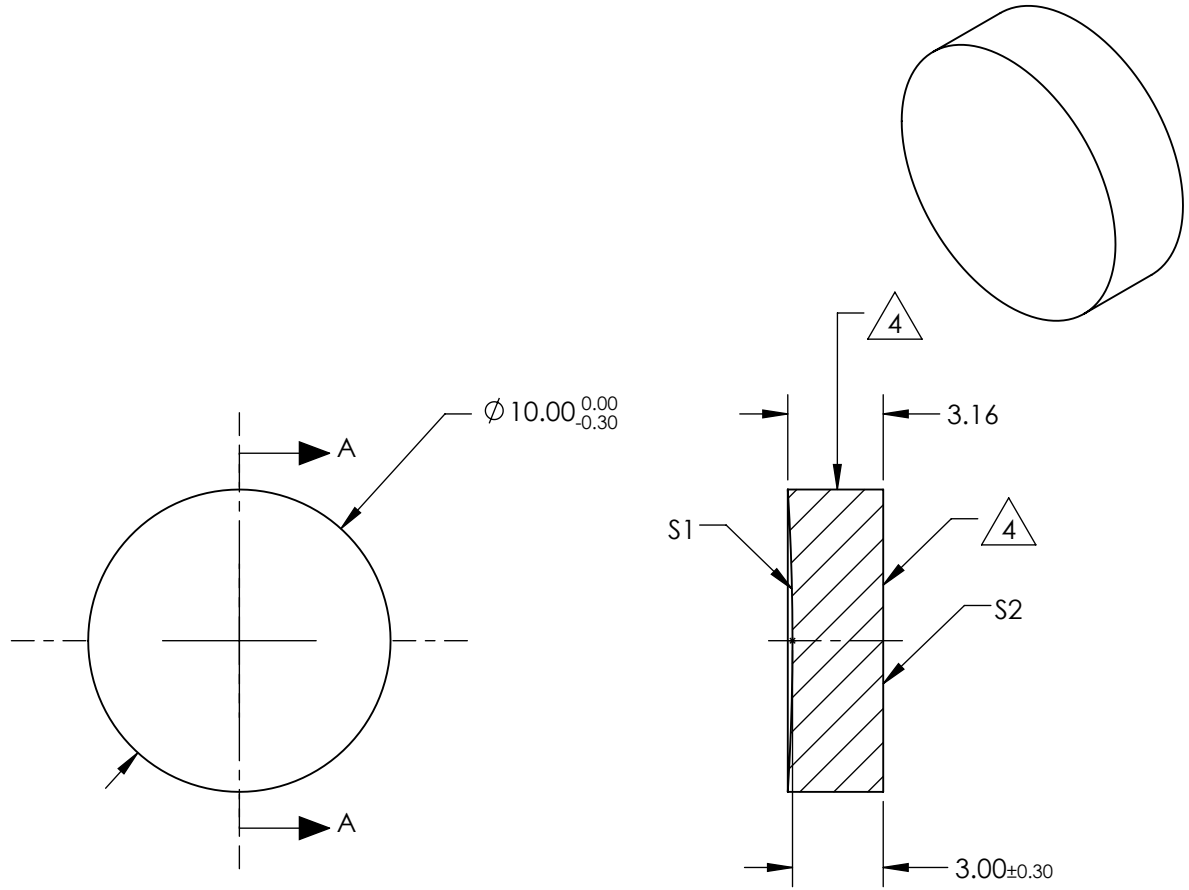
S1: Protected Aluminum
R(avg) >85% @ 400 - 700nm
R(avg) >90% @ 400 - 2000nm

S2: NONE

3. POWER, IRREGULARITY, SURFACE QUALITY, AND COATING SPECIFICATIONS APPLY ACROSS CLEAR APERTURE

 FINE GROUND SURFACE

5. ROHS COMPLIANT



SECTION A-A

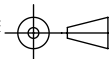
**FOR INFORMATION ONLY:
DO NOT MANUFACTURE
PARTS TO THIS DRAWING**

REV. A	S1	S2
SHAPE	CONCAVE	PLANO
RADIUS	80	INFINITY
EFFECTIVE FOCAL LENGTH	40mm	N/A
FOCAL LENGTH TOLERANCE	±2%	N/A
APERTURE	f/4	N/A
SURFACE QUALITY	60-40	N/A
SURFACE ACCURACY	$\lambda/4$	N/A
BEVEL	PROTECTIVE AS NEEDED	PROTECTIVE AS NEEDED

SPECIFICATIONS SUBJECT TO CHANGE WITHOUT NOTICE
DIMENSIONS ARE FOR REFERENCE ONLY

 **Edmund Optics®**

THIRD ANGLE PROJECTION



TITLE

10mm Dia x 40mm Focal Length, Spherical Mirror

ALL DIMS IN

mm

DWG NO

46233

SHEET
1 OF 1