

NOTES:

1. SUBSTRATE MATERIAL:
N-BK7

2. COATING (APPLY ACROSS CLEAR APERTURE)

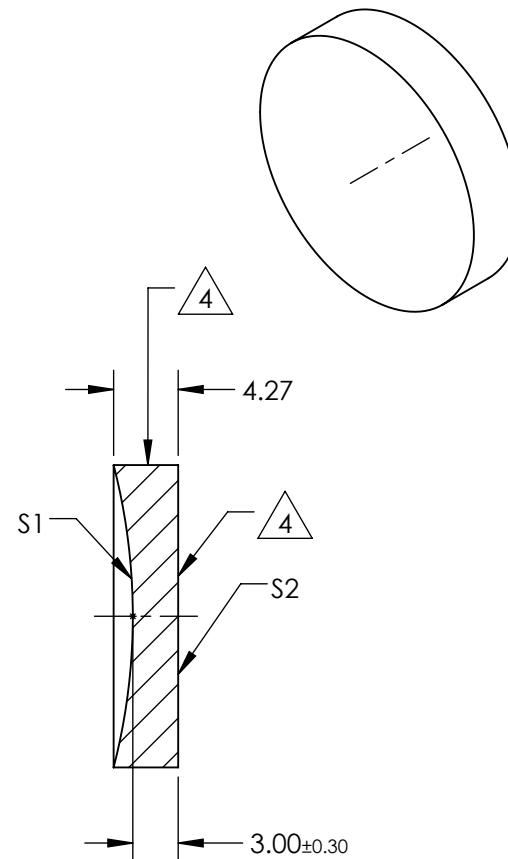
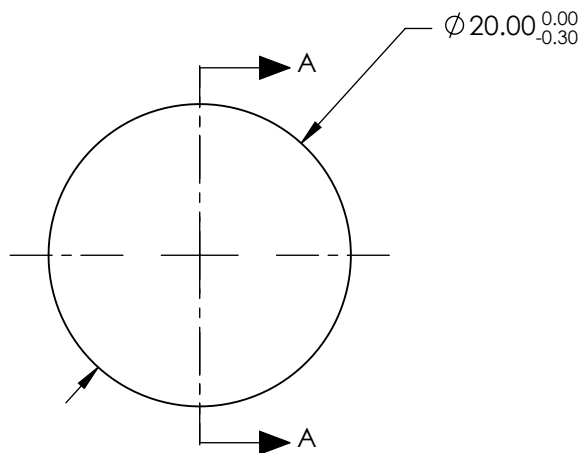
S1: Protected Aluminum
R(avg) >85% @ 400 - 700nm
R(avg) >90% @ 400 - 2000nm

S2: NONE

3. POWER, IRREGULARITY, SURFACE QUALITY, AND COATING SPECIFICATIONS APPLY ACROSS CLEAR APERTURE

 FINE GROUND SURFACE

5. ROHS COMPLIANT



SECTION A-A

**FOR INFORMATION ONLY:
DO NOT MANUFACTURE
PARTS TO THIS DRAWING**

REV. A	S1	S2
SHAPE	CONCAVE	PLANO
RADIUS	40	INFINITY
EFFECTIVE FOCAL LENGTH	20mm	N/A
FOCAL LENGTH TOLERANCE	±2%	N/A
APERTURE	f/1	N/A
SURFACE QUALITY	60-40	N/A
SURFACE ACCURACY	$\lambda/4$	N/A
BEVEL	PROTECTIVE AS NEEDED	PROTECTIVE AS NEEDED

SPECIFICATIONS SUBJECT TO CHANGE WITHOUT NOTICE
DIMENSIONS ARE FOR REFERENCE ONLY



ALL DIMS IN mm

TITLE	20mm Dia x 20mm Focal Length, Spherical Mirror
DWG NO	46237
SHEET	1 OF 1