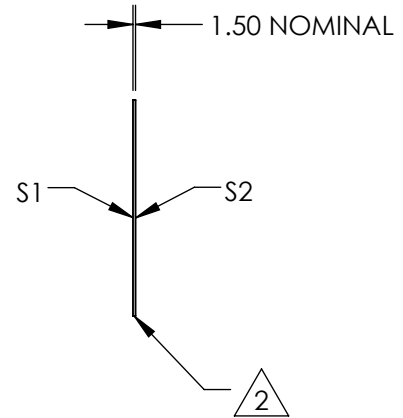
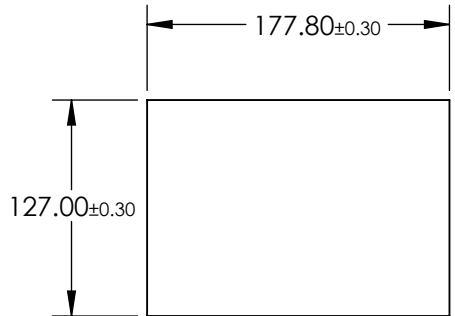
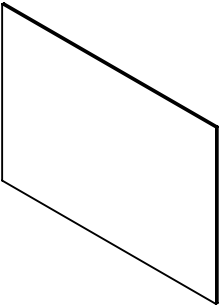


NOTES:

- 1. SUBSTRATE:
THERMOSET ADC (CR-39®)
- 2. EDGES CUT AND SEAMED
- 3. RoHS COMPLIANT



**FOR INFORMATION ONLY:
DO NOT MANUFACTURE
PARTS TO THIS DRAWING**

SPECIFICATIONS SUBJECT TO CHANGE WITHOUT NOTICE
DIMENSIONS ARE FOR REFERENCE ONLY



| | | | | | | | |
|------------------|----------------------|----------------------|------------------------|----|--------|--------------------------------------|-----------------|
| | S1 | S2 | THIRD ANGLE PROJECTION | | TITLE | 5" x 7" SIZE, PLASTIC OPTICAL WINDOW | |
| SHAPE | PLANO | PLANO | ALL DIMS IN | mm | DWG NO | 46628 | SHEET 1 OF 1 |
| WAVELENGTH RANGE | 400 - 1500nm | 400 - 1500nm | | | | | |
| BEVEL | PROTECTIVE AS NEEDED | PROTECTIVE AS NEEDED | | | | | |