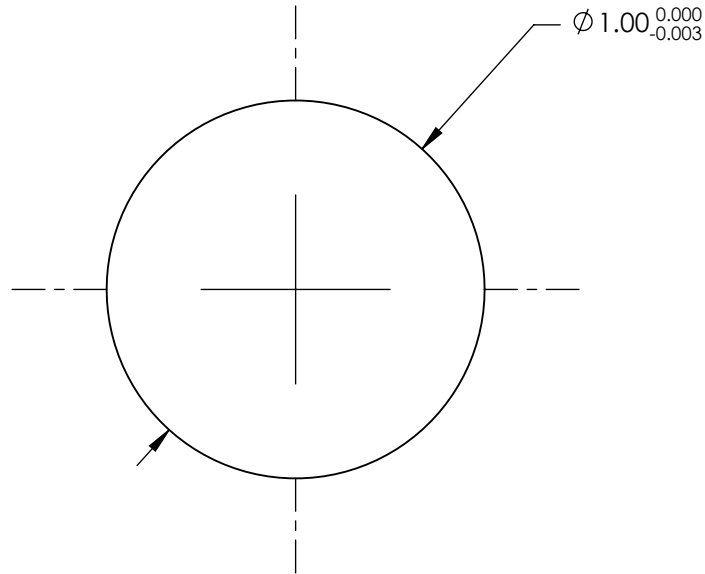


NOTES:

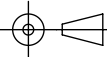
1. SUBSTRATE MATERIAL:
S-LAH79
2. COATING - NONE
3. FINISH: POLISHED
4. SPHERICITY:
2 μ m
5. RoHS COMPLIANT



SPECIFICATIONS SUBJECT TO CHANGE WITHOUT NOTICE
DIMENSIONS ARE FOR REFERENCE ONLY

**FOR INFORMATION ONLY:
DO NOT MANUFACTURE
PARTS TO THIS DRAWING**

EO® Edmund Optics®

THIRD ANGLE PROJECTION 		TITLE	1.0mm DIAMETER, S-LAH79 BALL LENS	
ALL DIMS IN	mm	DWG NO	47128	SHEET 1 OF 1