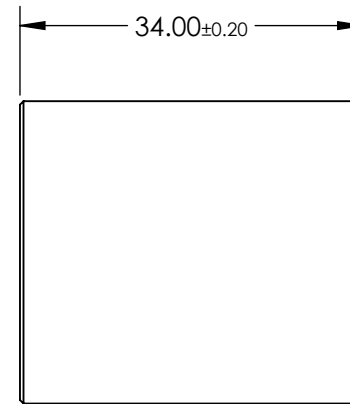
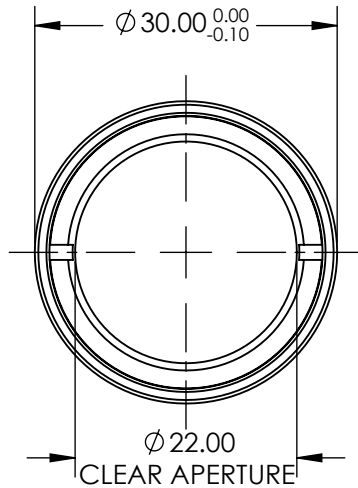
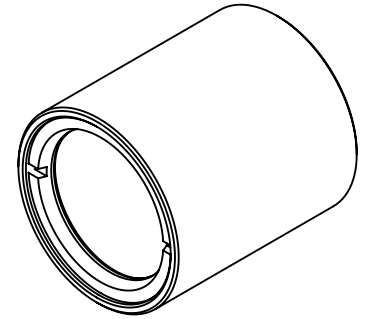


NOTES:

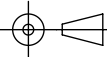
1. ELEMENT A: 45800
2. ELEMENT B: 45800



SPECIFICATIONS SUBJECT TO CHANGE WITHOUT NOTICE
DIMENSIONS ARE FOR REFERENCE ONLY

**FOR INFORMATION ONLY:
DO NOT MANUFACTURE
PARTS TO THIS DRAWING**

EO® Edmund Optics®

THIRD ANGLE PROJECTION 		TITLE	1:1 WITH 35mm AND 35mm EFL ACHROMATS, NIR ACHROMATIC PAIR	
ALL DIMS IN	mm	DWG NO	47293	SHEET 1 OF 1