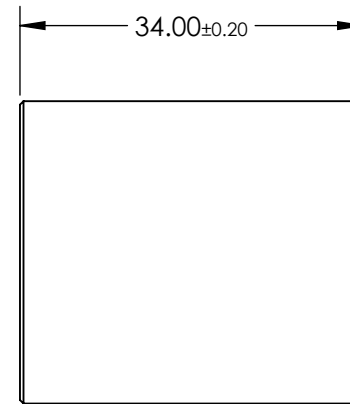
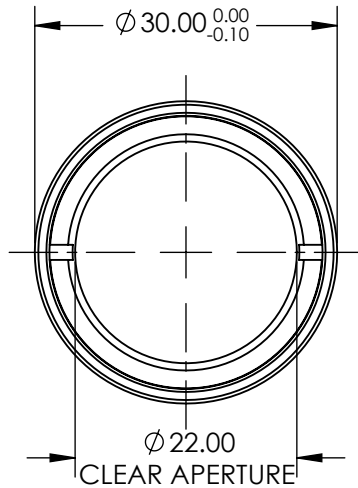
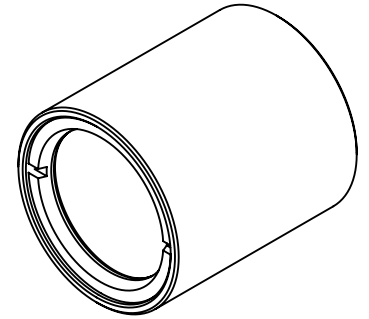


NOTES:

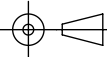
1. ELEMENT A: 45800
2. ELEMENT B: 45806



SPECIFICATIONS SUBJECT TO CHANGE WITHOUT NOTICE
DIMENSIONS ARE FOR REFERENCE ONLY

**FOR INFORMATION ONLY:
DO NOT MANUFACTURE
PARTS TO THIS DRAWING**

EO® Edmund Optics®

THIRD ANGLE PROJECTION 		TITLE	1:2.86 WITH 35mm AND 100mm EFL ACHROMATS, NIR ACHROMATIC PAIR	
ALL DIMS IN	mm	DWG NO	47297	SHEET 1 OF 1