
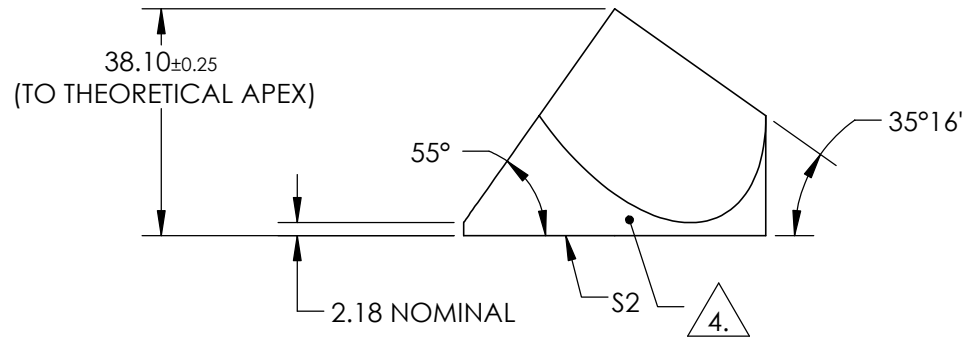
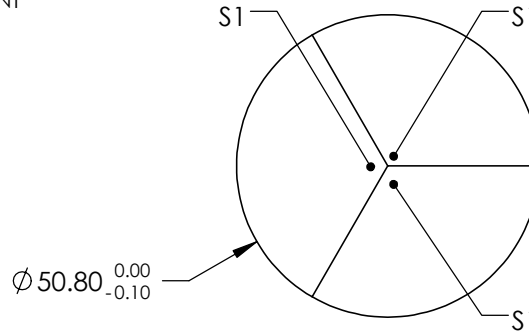
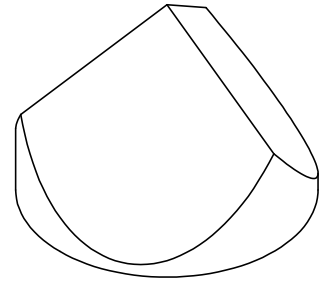


NOTES:

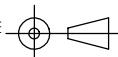
1. SUBSTRATE : FUSED SILICA
2. BLACK OVERPAINT IS 30-60 μm THICK
3. COATING (APPLY ACROSS COATING APERTURE)  
 S1: PROTECTED ALUMINUM  
 R(avg) >85% @ 400 - 700nm W/BLACK OVERPAINT  
 0.3 J/cm<sup>2</sup> @ 532nm & 1064nm, 10ns
- S2: UNCOATED
4.  FINE GRIND SURFACE
5. ROHS COMPLIANT



**FOR INFORMATION ONLY:  
DO NOT MANUFACTURE  
PARTS TO THIS DRAWING**

SPECIFICATIONS SUBJECT TO CHANGE WITHOUT NOTICE  
DIMENSIONS ARE FOR REFERENCE ONLY

REV A	S1 & S2
SURFACE FLATNESS	λ/10
SURFACE QUALITY	20-10
WAVELENGTH RANGE	400 - 700 nm
ANGLE TOL. (arcsec)	3
BEVEL	PROTECTED AS NEEDED

THIRD ANGLE PROJECTION 

ALL DIMS IN mm

 **Edmund Optics®**

TITLE: 50.8mm ALUMINUM COATED, FUSED SILICA CORNER CUBE

DWG NO: 49015

SHEET 1 OF 1