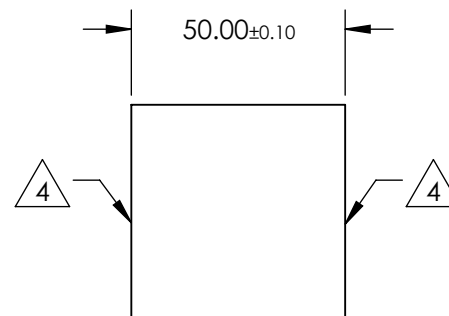
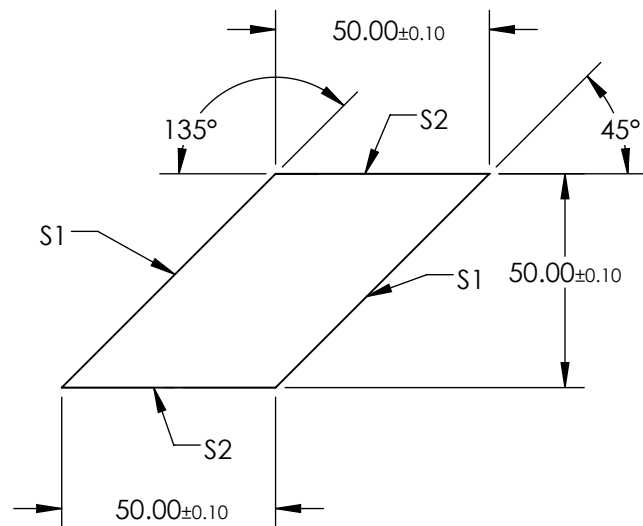


NOTES:

- 1. SUBSTRATE MATERIAL: N-BK7
- 2. ROHS COMPLIANT
- 3. COATING (APPLY ACROSS CLEAR APERTURE)  
 S1: NONE  
 S2: NONE

4. FINE GRIND SURFACE



**FOR INFORMATION ONLY:  
DO NOT MANUFACTURE  
PARTS TO THIS DRAWING**

SPECIFICATIONS SUBJECT TO CHANGE WITHOUT NOTICE  
DIMENSIONS ARE FOR REFERENCE ONLY

REV. A	S1	S2
SHAPE	PLANO	PLANO
ANGLE TOL.	±5 arcsec	±5 arcsec
SURFACE QUALITY	40-20	40-20
SURFACE FLATNESS	λ/8	λ/8
BEVEL	PROTECTIVE AS NEEDED	PROTECTIVE AS NEEDED

THIRD ANGLE PROJECTION

ALL DIMS IN mm

Edmund Optics®

TITLE 50mm, UNCOATED, RHOMBOID PRISM

DWG NO 49420

SHEET 1 OF 1