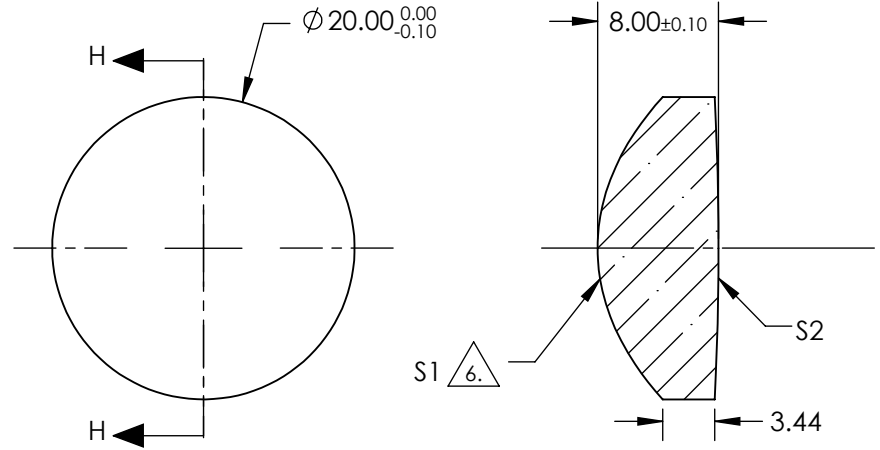


NOTES:

1. SUBSTRATE: L-BAL35
2. COATING (APPLY ACROSS CLEAR APERTURE)
 S1: R(avg) ≤1.5% @ 600 - 1050nm
 S2: R(avg) ≤1.5% @ 600 - 1050nm
3. EDGES: FINE GROUND
4. CENTERING: 3-5 ARCMIN
5. ASPHERE FIGURE ERROR: 0.75 μm RMS

△ ASPHERIC SURFACE DESCRIBED BY (REF. COEFFICIENT TABLE)

$$Z_{ASPH}(Y) = \frac{(\frac{1}{RADIUS}) * Y^2}{1 + \sqrt{1 - (1+k) * (\frac{1}{RADIUS})^2 * Y^2}} + D * Y^2 + E * Y^4 + F * Y^6 + G * Y^8 + H * Y^{10} + J * Y^{12} + L * Y^{14}$$



SECTION H-H

COEFFICIENT TABLE △ 6.

COEFFICIENT	S1
SEMI-DIAMETER	10.000000E+00
(1/RADIUS)	8.107287E-02
k	-6.196140E-01
D	0.000000E+00
E	0.000000E+00
F	-1.292772E-08
G	-1.932447E-10
H	0.000000E+00
J	0.000000E+00
L	0.000000E+00

**FOR INFORMATION ONLY:
DO NOT MANUFACTURE
PARTS TO THIS DRAWING**

SPECIFICATIONS SUBJECT TO CHANGE WITHOUT NOTICE DIMENSIONS ARE FOR REFERENCE ONLY

REV. A	S1	S2	EFL @ 587.6μm	20	Edmund Optics®	
SHAPE	CONVEX	PLANO	BFL @ 587.6μm	15.19	TITLE: 20mm DIA., 0.50 NUMERICAL APERTURE NIR COATED, ASPHERIC LENS DWG NO: 66330	
RADIUS	12.335	200.00	THIRD ANGLE PROJECTION			
SURFACE QUALITY	60-40	60-40	ALL DIMS IN mm			
CLEAR APERTURE	90%	90%	SHEET 1 OF 1			
BEVEL MAX	PROTECTIVE AS NEEDED	PROTECTIVE AS NEEDED	DWG NO: 66330			