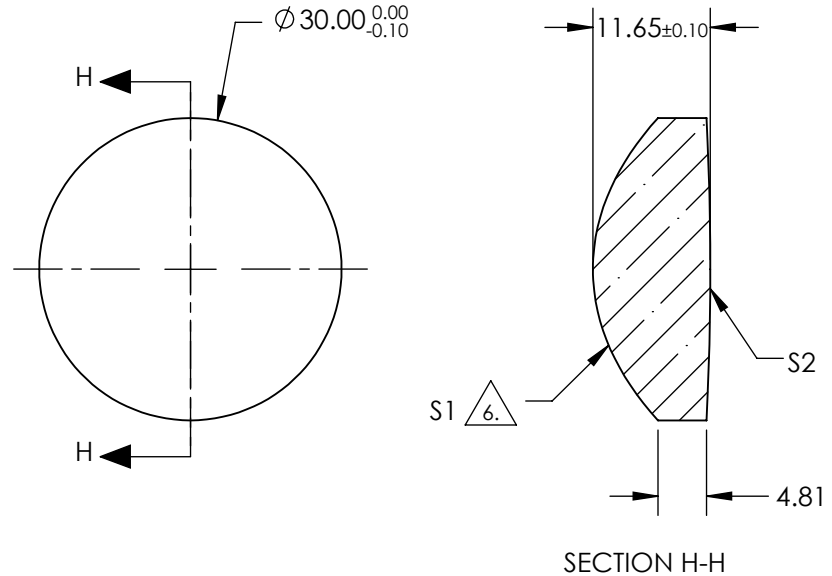


NOTES:

1. SUBSTRATE: L-BAL35
2. COATING (APPLY ACROSS CLEAR APERTURE)
 S1: R(avg) ≤1.5% @ 425 - 675nm
 S2: R(avg) ≤1.5% @ 425 - 675nm
3. EDGES: FINE GROUND
4. CENTERING: 3-5 ARCMIN
5. ASPHERE FIGURE ERROR: 0.75 μm RMS

△ ASPHERIC SURFACE DESCRIBED BY (REF. COEFFICIENT TABLE)

$$Z_{ASPH}(Y) = \frac{(\frac{1}{RADIUS}) * Y^2}{1 + \sqrt{1 - (1+k) * (\frac{1}{RADIUS})^2 * Y^2}} + D * Y^2 + E * Y^4 + F * Y^6 + G * Y^8 + H * Y^{10} + J * Y^{12} + L * Y^{14}$$



COEFFICIENT TABLE △6.	
COEFFICIENT	S1
SEMI-DIAMETER	20.000000E+00
(1/RADIUS)	5.486864E-02
k	-6.220625E-01
D	0.000000E+00
E	0.000000E+00
F	-1.772239E-09
G	-1.116722E-11
H	0.000000E+00
J	0.000000E+00
L	0.000000E+00

**FOR INFORMATION ONLY:
DO NOT MANUFACTURE
PARTS TO THIS DRAWING**

SPECIFICATIONS SUBJECT TO CHANGE WITHOUT NOTICE DIMENSIONS ARE FOR REFERENCE ONLY

REV. A	S1	S2	EFL @ 587.6μm	30	Edmund Optics®		
SHAPE	CONVEX	PLANO	BFL @ 587.6μm	22.99	THIRD ANGLE PROJECTION TITLE 30mm DIA., 0.50 NUMERICAL APERTURE VIS COATED, ASPHERIC LENS		
RADIUS	18.510	300.000	ALL DIMS IN mm				DWG NO 66322
SURFACE QUALITY	60-40	60-40	SHEET 1 OF 1				
CLEAR APERTURE	90%	90%					
BEVEL MAX	PROTECTIVE AS NEEDED	PROTECTIVE AS NEEDED					