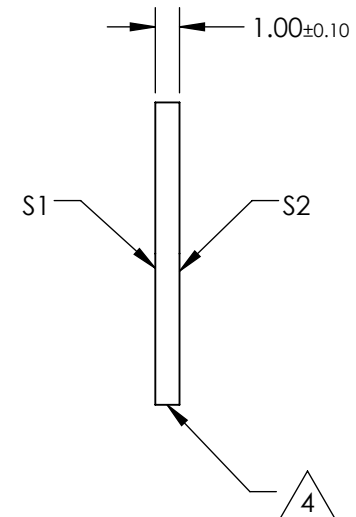
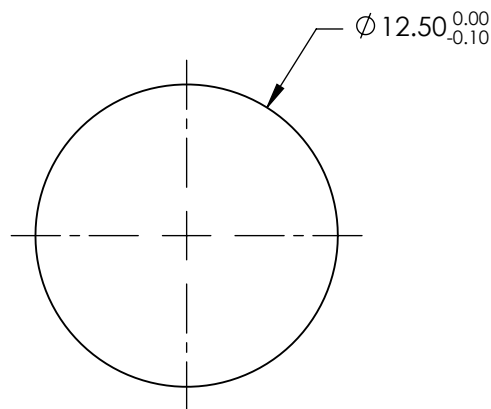
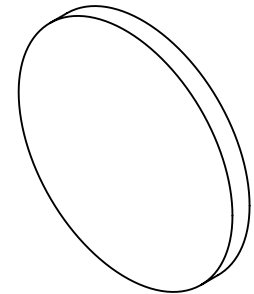


NOTES:

1. SUBSTRATE:
ZINC SELENIDE (ZnSe)
2. SURFACE S2 TO BE PARALLEL WITH S1 TO <1 arcmin
3. COATING (APPLY ACROSS CLEAR APERTURE)
S1 & S2: NONE

 4. FINE GRIND SURFACE

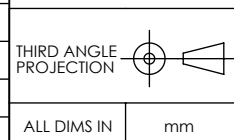
5. RoHS COMPLIANT



**FOR INFORMATION ONLY:
DO NOT MANUFACTURE
PARTS TO THIS DRAWING**

SPECIFICATIONS SUBJECT TO CHANGE WITHOUT NOTICE
DIMENSIONS ARE FOR REFERENCE ONLY

	S1	S2
SHAPE	PLANO	PLANO
SURFACE QUALITY	60-40	60-40
SURFACE FLATNESS	$\lambda/10 @ 10.6\mu\text{m}$	$\lambda/10 @ 10.6\mu\text{m}$
BEVEL	PROTECTIVE AS NEEDED	PROTECTIVE AS NEEDED



 Edmund Optics®	
TITLE	Ø12.5mm x 1mm THICKNESS, UNCOATED, ZnSe WINDOW
DWG NO	68506
	SHEET 1 OF 1