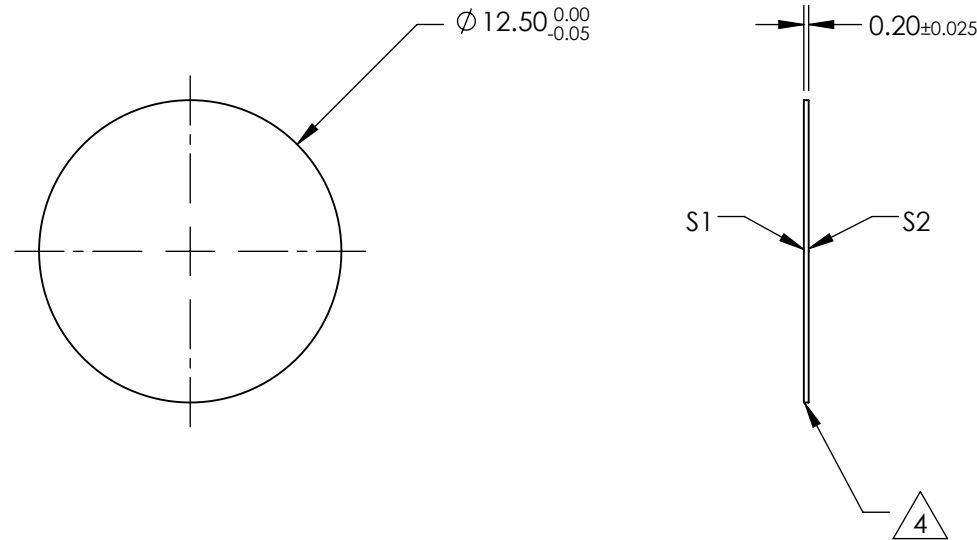
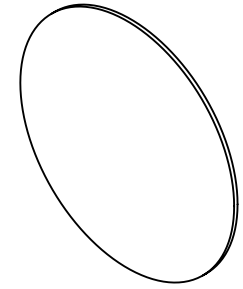


NOTES:

1. SUBSTRATE:  
N-BK7
2. S2 TO BE PARALLEL WITH S1 TO <30 arcsec
3. COATING (APPLY ACROSS CLEAR APERTURE)  
S1 & S2: RAVG ≤0.4% @ 425 - 675nm

4. FINE GRIND SURFACE

5. RoHS COMPLIANT



**FOR INFORMATION ONLY:  
DO NOT MANUFACTURE  
PARTS TO THIS DRAWING**

SPECIFICATIONS SUBJECT TO CHANGE WITHOUT NOTICE  
DIMENSIONS ARE FOR REFERENCE ONLY

	S1	S2
SHAPE	PLANO	PLANO
SURFACE QUALITY	20-10	20-10
WAVELENGTH RANGE	425 - 675nm	425 - 675nm
BEVEL	PROTECTIVE AS NEEDED	PROTECTIVE AS NEEDED

THIRD ANGLE PROJECTION

ALL DIMS IN

mm

Edmund Optics®

TITLE

12.5mm DIAMETER VIS 0° COATED, ULTRA-THIN N-BK7 WINDOW

DWG NO

83101

SHEET  
1 OF 1