
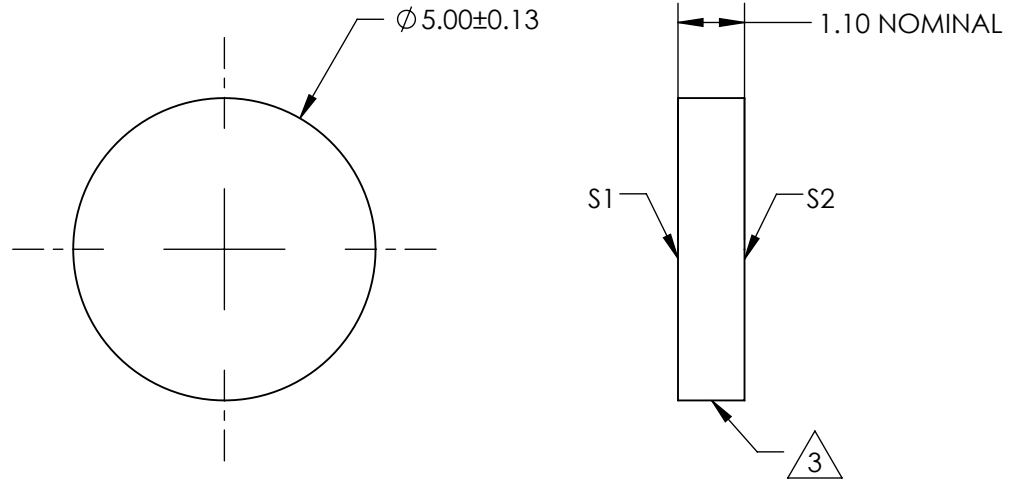
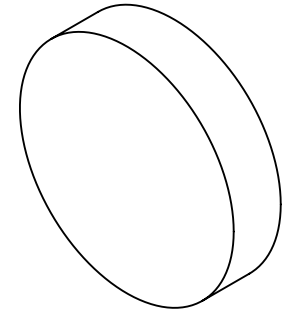


NOTES:

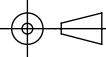
1. SUBSTRATE:
GORILLA® GLASS
2. COATING (APPLY ACROSS CLEAR APERTURE)
S1 & S2: UNCOATED
4.  FINE GROUND SURFACE
3. RoHS COMPLIANT



**FOR INFORMATION ONLY:
DO NOT MANUFACTURE
PARTS TO THIS DRAWING**

SPECIFICATIONS SUBJECT TO CHANGE WITHOUT NOTICE
DIMENSIONS ARE FOR REFERENCE ONLY

 **Edmund Optics®**

	S1	S2	THIRD ANGLE PROJECTION 		TITLE	Ø5mm, UNCOATED, GORILLA GLASS® WINDOW	
SHAPE	PLANO	PLANO			DWG NO	83359	SHEET
SURFACE QUALITY	80-50	80-50	ALL DIMS IN	mm			
BEVEL	PROTECTIVE AS NEEDED	PROTECTIVE AS NEEDED					