
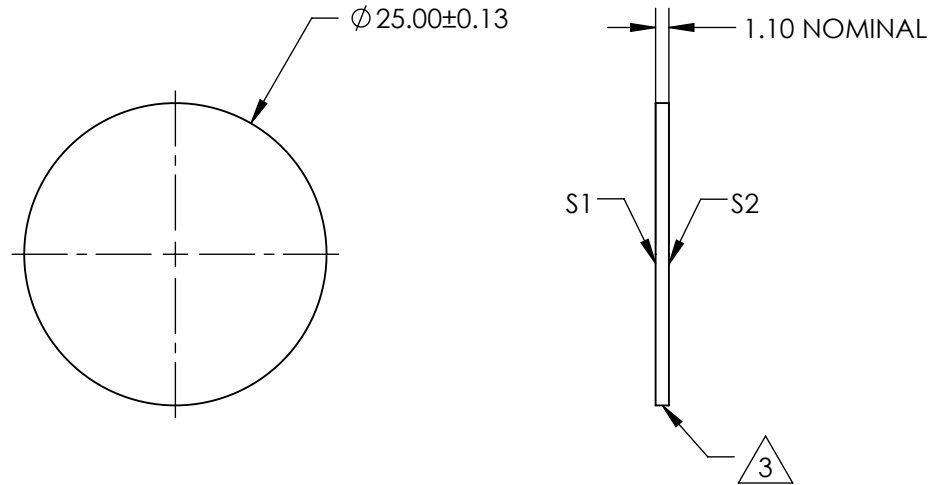
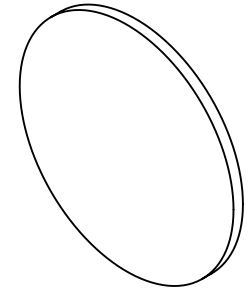


NOTES:

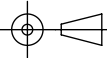
1. SUBSTRATE:
GORILLA® GLASS
2. COATING (APPLY ACROSS CLEAR APERTURE)
S1 & S2: UNCOATED
4.  FINE GROUND SURFACE
3. RoHS COMPLIANT



**FOR INFORMATION ONLY:
DO NOT MANUFACTURE
PARTS TO THIS DRAWING**

SPECIFICATIONS SUBJECT TO CHANGE WITHOUT NOTICE
DIMENSIONS ARE FOR REFERENCE ONLY

 **Edmund Optics®**

| | | | | | | | |
|-----------------|----------------------|----------------------|--|----|--------|--|--------------|
| | S1 | S2 | THIRD ANGLE PROJECTION  | | TITLE | Ø25mm, UNCOATED, GORILLA GLASS® WINDOW | |
| SHAPE | PLANO | PLANO | | | DWG NO | 83363 | SHEET 1 OF 1 |
| SURFACE QUALITY | 80-50 | 80-50 | ALL DIMS IN | mm | | | |
| BEVEL | PROTECTIVE AS NEEDED | PROTECTIVE AS NEEDED | | | | | |