
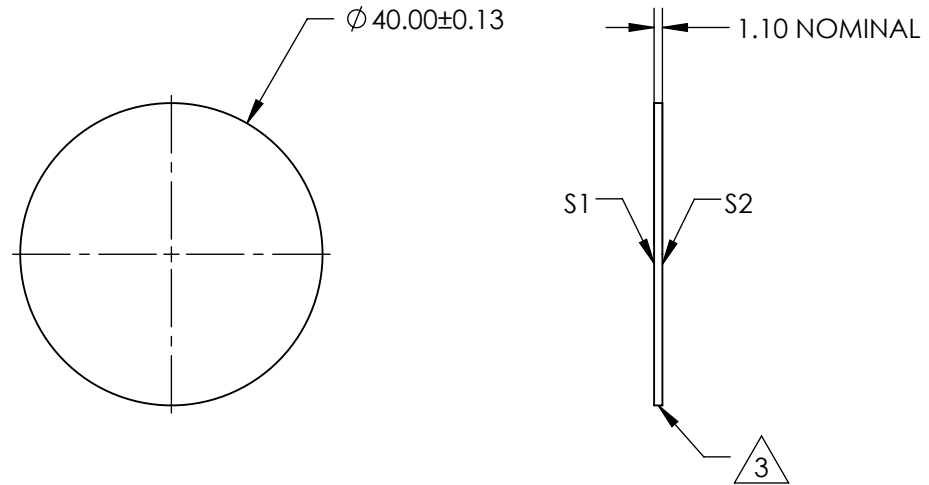
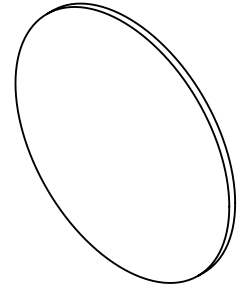


NOTES:

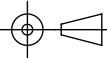
- 1. SUBSTRATE:  
GORILLA® GLASS
- 2. COATING (APPLY ACROSS CLEAR APERTURE)  
S1 & S2: UNCOATED
- 4.  FINE GROUND SURFACE
- 3. RoHS COMPLIANT



**FOR INFORMATION ONLY:  
DO NOT MANUFACTURE  
PARTS TO THIS DRAWING**

SPECIFICATIONS SUBJECT TO CHANGE WITHOUT NOTICE  
DIMENSIONS ARE FOR REFERENCE ONLY

 **Edmund Optics®**

	S1	S2	THIRD ANGLE PROJECTION 		TITLE	Ø40mm, UNCOATED, GORILLA GLASS® WINDOW	
SHAPE	PLANO	PLANO			DWG NO	83365	SHEET
SURFACE QUALITY	80-50	80-50	ALL DIMS IN	mm			
BEVEL	PROTECTIVE AS NEEDED	PROTECTIVE AS NEEDED					