

NOTES:

1. SUBSTRATE: N-BK7
2. COATING (APPLY ACROSS CLEAR APERTURE)

S1: SILVER WITH PROTECTIVE OVERCOAT
 R(AVG) > 98% FROM 0.45-10.0 Microns @ 0° AOI

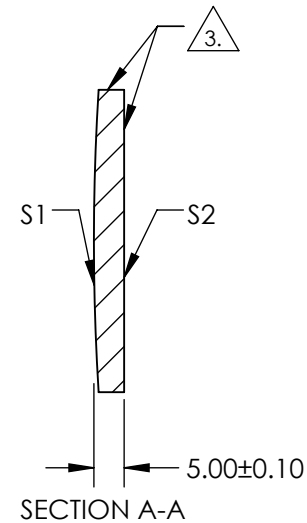
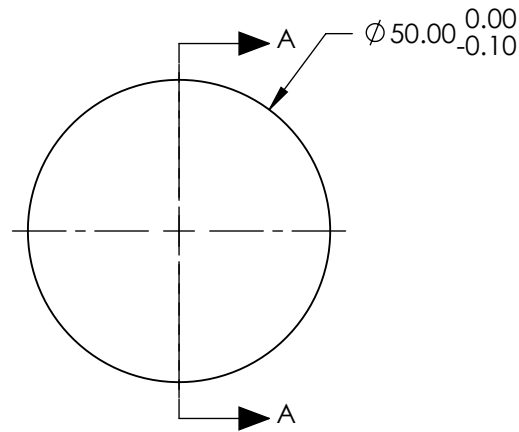
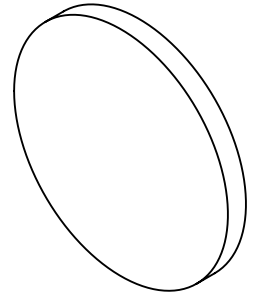
S2: NONE

3. FINE GRIND SURFACE

4. POWER, IRREGULARITY, AND SURFACE QUALITY SPECIFICATIONS
 APPLY ACROSS CLEAR APERTURE

5. ROHS COMPLIANT

**FOR INFORMATION ONLY:
 DO NOT MANUFACTURE
 PARTS TO THIS DRAWING**



SPECIFICATIONS SUBJECT TO CHANGE WITHOUT NOTICE
 DIMENSIONS ARE FOR REFERENCE ONLY

	S1	S2
SHAPE	CONVEX	PLANO
RADIUS	400mm	N/A
SURFACE QUALITY	60-40	N/A
FOCAL LENGTH TOLERANCE	±2%	N/A
BEVEL	PROTECTIVE AS NEEDED	PROTECTIVE AS NEEDED



ALL DIMS IN

mm

EO® **Edmund Optics**®

TITLE

Ø50mm, -200mm FL PROTECTED SILVER,
 CONVEX MIRROR

DWG NO

87686

SHEET
 1 OF 1