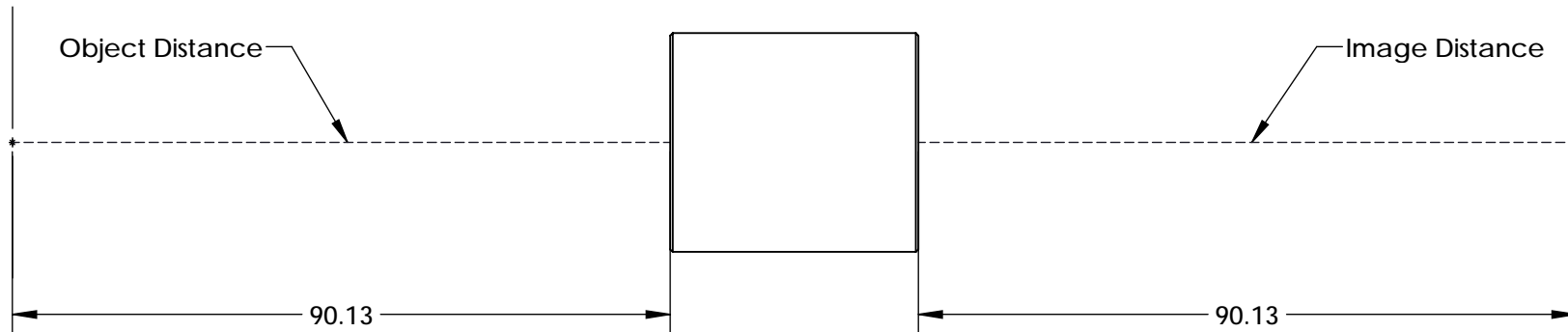
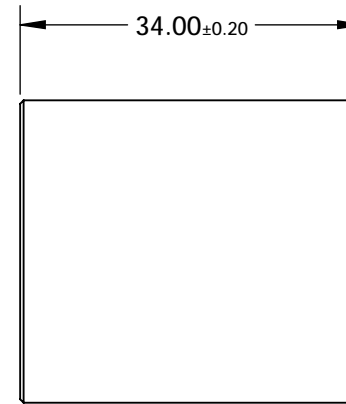
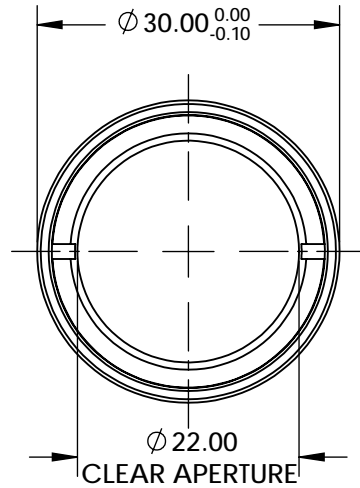
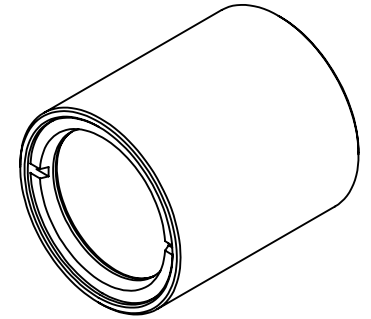


NOTES:

1. SUBSTRATE: N-BK7 / N-SF5 / N-BK7 / N-SF5
2. MgF2
R(avg) ≤1.75% @ 400 - 700nm
3. ROHS COMPLIANT



SPECIFICATIONS SUBJECT TO CHANGE WITHOUT NOTICE
 DIMENSIONS ARE FOR REFERENCE ONLY

**FOR INFORMATION ONLY:
 DO NOT MANUFACTURE
 PARTS TO THIS DRAWING**

EO® Edmund Optics®

THIRD ANGLE PROJECTION		TITLE	1:1 WITH 100mm AND 100mm EFL ACHROMATS, 30mm ACHROMATIC PAIR	
ALL DIMS IN	mm	DWG NO	55278	SHEET 1 OF 1