
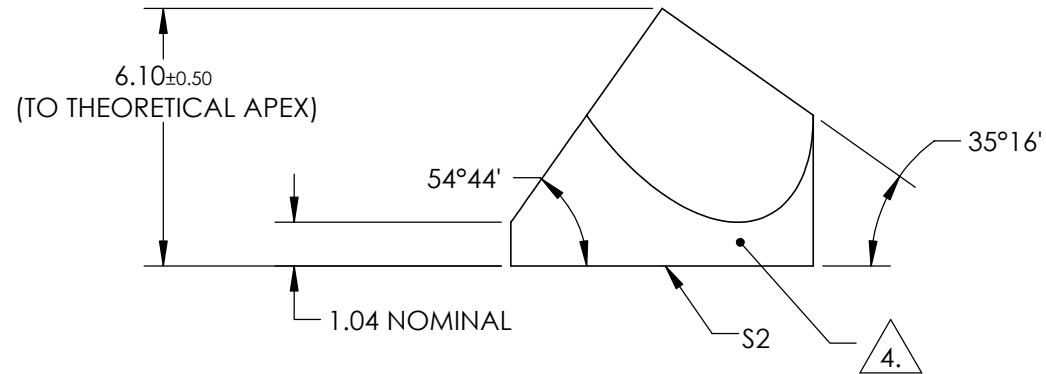
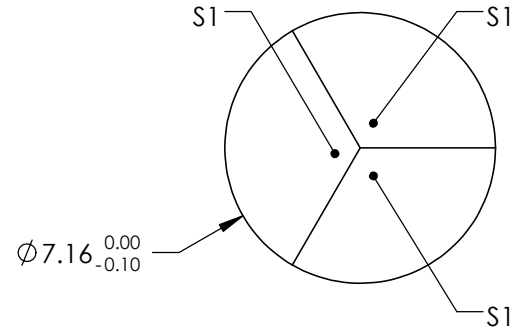
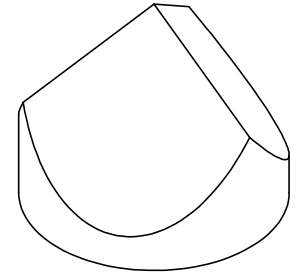


NOTES:

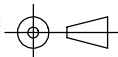
1. SUBSTRATE : FUSED SILICA
2. BLACK OVERPAINT IS 30-60 μm THICK
3. COATING (APPLY ACROSS COATING APERTURE)
 S1: PROTECTED ALUMINUM
 R(avg) >85% @ 400 - 700nm W/BLACK OVERPAINT
 0.3 J/cm² @ 532nm & 1064nm, 10ns
- S2: UNCOATED
4.  FINE GRIND SURFACE
5. ROHS COMPLIANT



**FOR INFORMATION ONLY:
DO NOT MANUFACTURE
PARTS TO THIS DRAWING**

SPECIFICATIONS SUBJECT TO CHANGE WITHOUT NOTICE
DIMENSIONS ARE FOR REFERENCE ONLY

REV A	S1 & S2
SURFACE FLATNESS	λ/10
SURFACE QUALITY	20-10
WAVELENGTH RANGE	400 - 700 nm
ANGLE TOL. (arcsec)	10
BEVEL	PROTECTED AS NEEDED

THIRD ANGLE PROJECTION 	
ALL DIMS IN	mm

 Edmund Optics®	
TITLE	7.16mm ALUMINUM COATED, FUSED SILICA CORNER CUBE
DWG NO	49012
SHEET 1 OF 1	