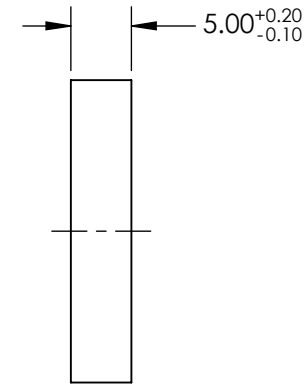
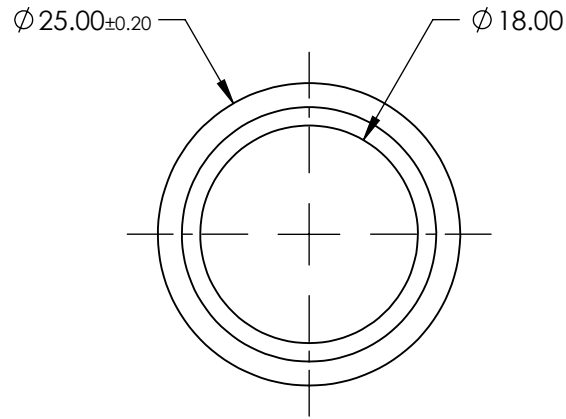
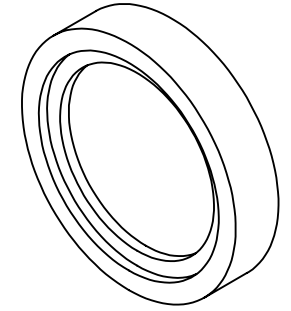


NOTES:

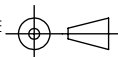
- SUBSTRATE:
THALLIUM BROMOIODIDE



**FOR INFORMATION ONLY:
DO NOT MANUFACTURE
PARTS TO THIS DRAWING**

SPECIFICATIONS SUBJECT TO CHANGE WITHOUT NOTICE
DIMENSIONS ARE FOR REFERENCE ONLY

DAMAGE THRESHOLD	50W/cm ²
EXTINCTION RATIO	150:1 @ 3μm; 300:1 @ 15μm
PARALLELISM	≤3 ARCMIN
SURFACE FLATNESS	λ/20 @ 10.6μm
SURFACE QUALITY	60-40
TRANSMISSION	>60% @ 2 - 12μm

THIRD ANGLE PROJECTION 

ALL DIMS IN mm

 **Edmund Optics®**

TITLE: Ø25mm, KRS-5, IR HOLOGRAPHIC WIRE GRID POLARIZER

DWG NO: 62774

SHEET 1 OF 1