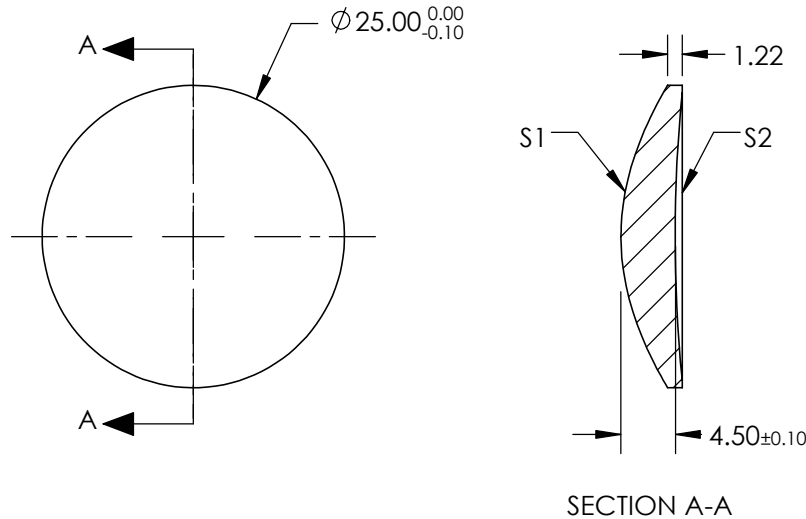


NOTES:

1. SUBSTRATE: GERMANIUM (GE)
2. COATING
 S1: R(avg) < 3.0% @ 3 - 5µm
 S2: R(avg) < 3.0% @ 3 - 5µm
3. EDGES: DIAMOND TURNED
4. CENTERING: 3-5 arcmin
5. RoHS: COMPLIANT
6. ASPHERIC SURFACE DESCRIBED BY THE FOLLOWING EQUATION AND COEFFICIENTS SHOWN IN TABLE BELOW


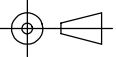
$$Z_{ASPH}(Y) = \frac{(\frac{1}{RADIUS}) * Y^2}{1 + \sqrt{1 - (1+k) * (\frac{1}{RADIUS})^2 * Y^2}} + D * Y^2 + E * Y^4 + F * Y^6 + G * Y^8 + H * Y^{10} + J * Y^{12} + L * Y^{14}$$

**FOR INFORMATION ONLY:
DO NOT MANUFACTURE
PARTS TO THIS DRAWING**



COEFFICIENT TABLE	
COEFFICIENT	S1
k	0
D	0
E	-1.9231801E-005
F	3.4262654E-008
G	-5.8182272E-011
H	5.3514006E-014
J	0
L	0

SPECIFICATIONS SUBJECT TO CHANGE WITHOUT NOTICE
DIMENSIONS ARE FOR REFERENCE ONLY

	S1	S2	EFL @ 4000nm: 12.5		 Edmund Optics®	
SHAPE	CONVEX	CONCAVE	BFL @ 4000nm: 11.56			
RADIUS	19.413	122.377	 THIRD ANGLE PROJECTION		TITLE 25mm DIA X 12.5mm FL 3-5µm COATED, HYBRID GE ASPHERIC LENS	
SURFACE ACCURACY	0.3µm	N/A				
SURFACE QUALITY	60-40	60-40	ALL DIMS IN mm		DWG NO 68259	
CLEAR APERTURE	90%	90%				
BEVEL	PROTECTIVE AS NEEDED	PROTECTIVE AS NEEDED			SHEET 1 OF 1	