


NOTES:

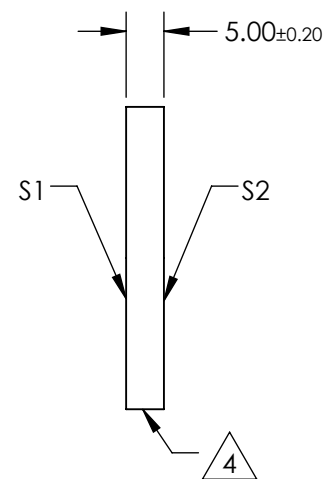
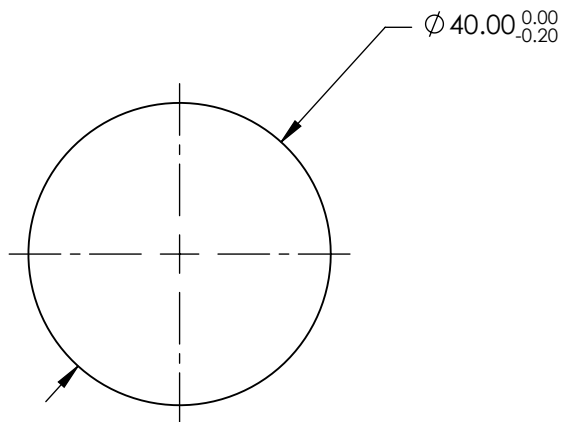
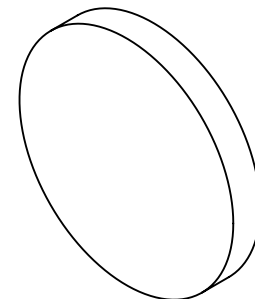
1. SUBSTRATE MATERIAL: Fused Silica
2. SURFACE S2 TO BE PARALLEL WITH S1 TO 30 arcsec
3. COATING (APPLY ACROSS CLEAR APERTURE)

S1: UV Enhanced Aluminum  
 R(avg) >89% @ 250 - 450nm  
 R(avg) >85% @ 250 - 700nm

S2: NONE

 FINE GRIND SURFACE

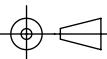
5. RoHS COMPLIANT



**FOR INFORMATION ONLY:  
 DO NOT MANUFACTURE  
 PARTS TO THIS DRAWING**

SPECIFICATIONS SUBJECT TO CHANGE WITHOUT NOTICE  
 DIMENSIONS ARE FOR REFERENCE ONLY



REV. A	S1	S2	THIRD ANGLE PROJECTION 		TITLE	40mm Diameter UV Enhanced Aluminum Coated, $\lambda/10$ Mirror	
SURFACE QUALITY	20-10	COMMERCIAL POLISH	ALL DIMS IN	mm	DWG NO	68317	SHEET 1 OF 1
SURFACE FLATNESS	$\lambda/10$	NA					
BEVEL	PROTECTIVE AS NEEDED	PROTECTIVE AS NEEDED					