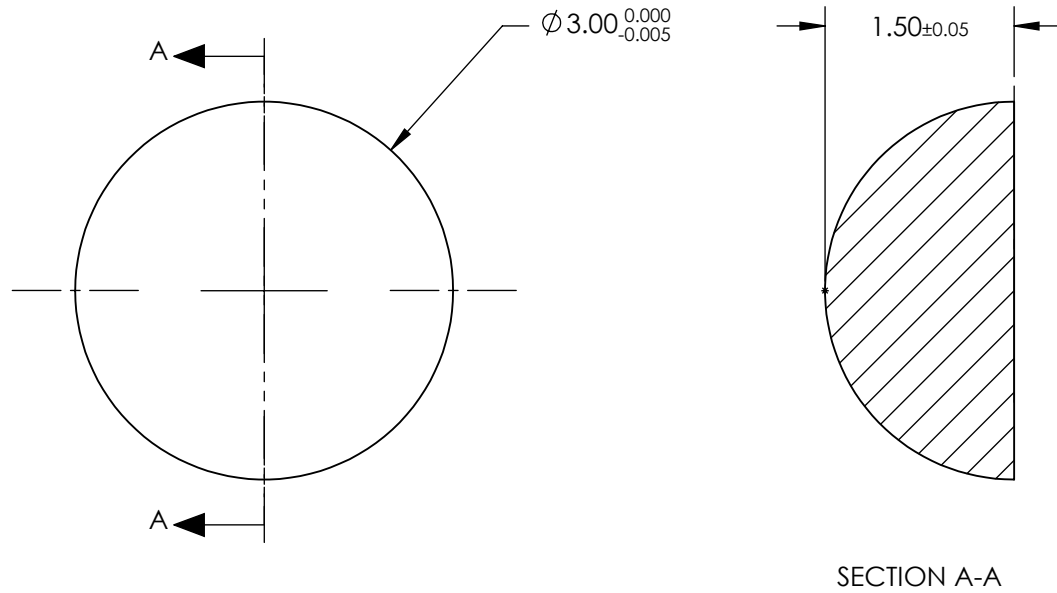


NOTES:

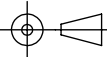
1. SUBSTRATE MATERIAL:
N-BK7
2. COATING :
NONE
3. FINISH:
POLISHED
4. RoHS COMPLIANT



SPECIFICATIONS SUBJECT TO CHANGE WITHOUT NOTICE
DIMENSIONS ARE FOR REFERENCE ONLY

**FOR INFORMATION ONLY:
DO NOT MANUFACTURE
PARTS TO THIS DRAWING**

EO® Edmund Optics®

THIRD ANGLE PROJECTION 		TITLE	3.0mm DIAMETER, N-BK7 HALF-BALL LENS	
ALL DIMS IN	mm	DWG NO	47269	SHEET 1 OF 1