

NOTES:

**FOR INFORMATION ONLY:  
DO NOT MANUFACTURE  
PARTS TO THIS DRAWING**

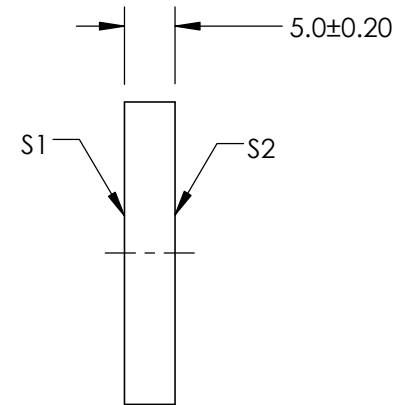
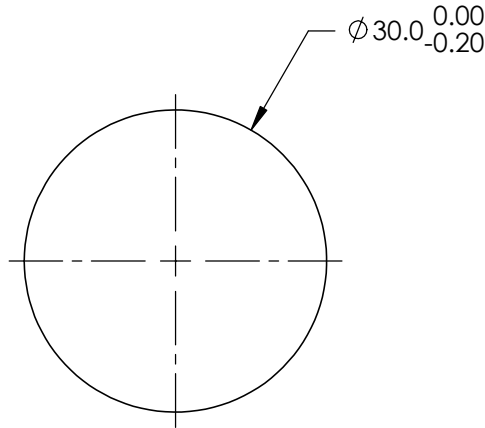
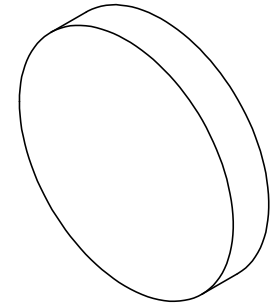
1. SUBSTRATE: FUSED SILICA
2. PARALLELISM : 30 ARCSEC
3. COATING SPECIFICATION:

ENHANCED ALUMINUM

S1: R(avg) >95% @ 450 - 650nm

S2: NONE

4. POWER, IRREGULARITY, AND SURFACE QUALITY SPECIFICATIONS  
APPLY ACROSS CLEAR APERTURE
5. ROHS COMPLIANT



SPECIFICATIONS SUBJECT TO CHANGE WITHOUT NOTICE  
DIMENSIONS ARE FOR REFERENCE ONLY

**EO**® **Edmund Optics**®

	S1	S2
SHAPE	PLANO	PLANO
SURFACE QUALITY	20-10	COMMERCIAL POLISH
SURFACE FLATNESS	$\lambda/20$	N/A
BEVEL	PROTECTIVE AS NEEDED	PROTECTIVE AS NEEDED

THIRD ANGLE PROJECTION

ALL DIMS IN mm

TITLE	DWG NO	SHEET
$\varnothing 30\text{mm}$ , $\lambda/20$ , ENHANCED ALUMINUM MIRROR	34362	1 OF 1