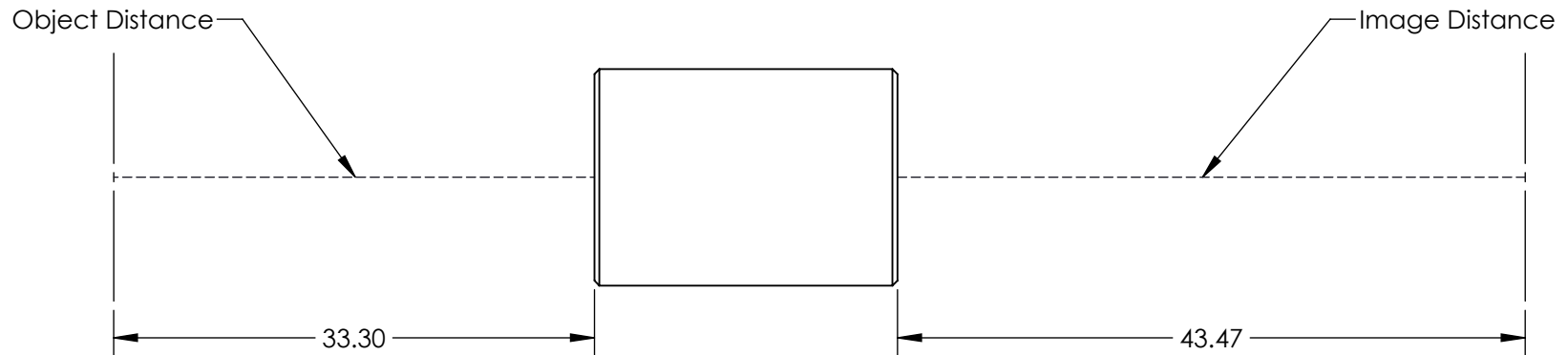
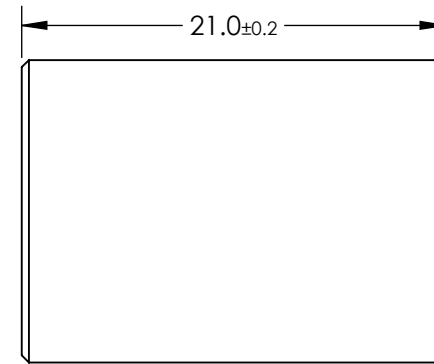
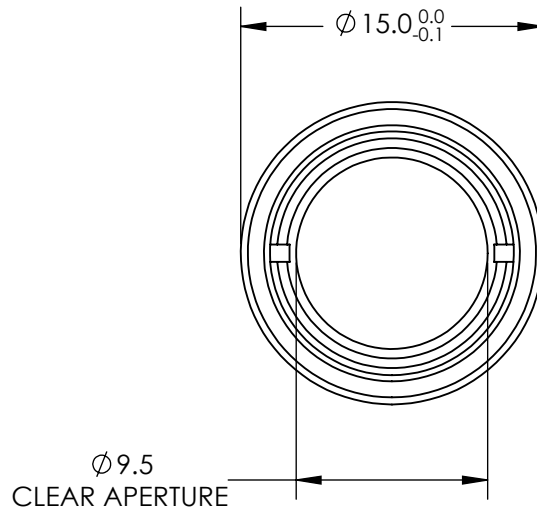
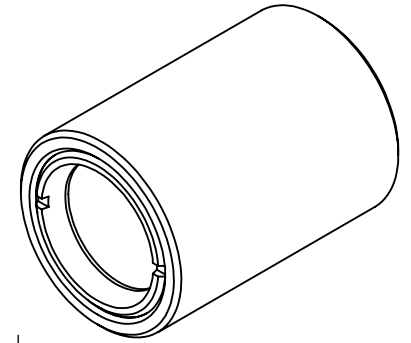


NOTES:

1. SUBSTRATE: N-BK7 / N-SF5 / N-BK7 / N-SF5
2. COATING: MgF₂
R(avg) ≤ 1.75% @ 400 - 700nm
3. ROHS COMPLIANT



**FOR INFORMATION ONLY:
DO NOT MANUFACTURE
PARTS TO THIS DRAWING**

SPECIFICATIONS SUBJECT TO CHANGE WITHOUT NOTICE
DIMENSIONS ARE FOR REFERENCE ONLY

EO® Edmund Optics®

THIRD ANGLE PROJECTION		TITLE	1:1.25 WITH 40mm AND 50mm EFL ACHROMATS, 15mm ACHROMATIC PAIR	
ALL DIMS IN	mm	DWG NO	55275	SHEET 1 OF 1