

NOTES:

1. SUBSTRATE MATERIAL:
N-BK7

2. COATING (APPLY ACROSS CLEAR APERTURE)

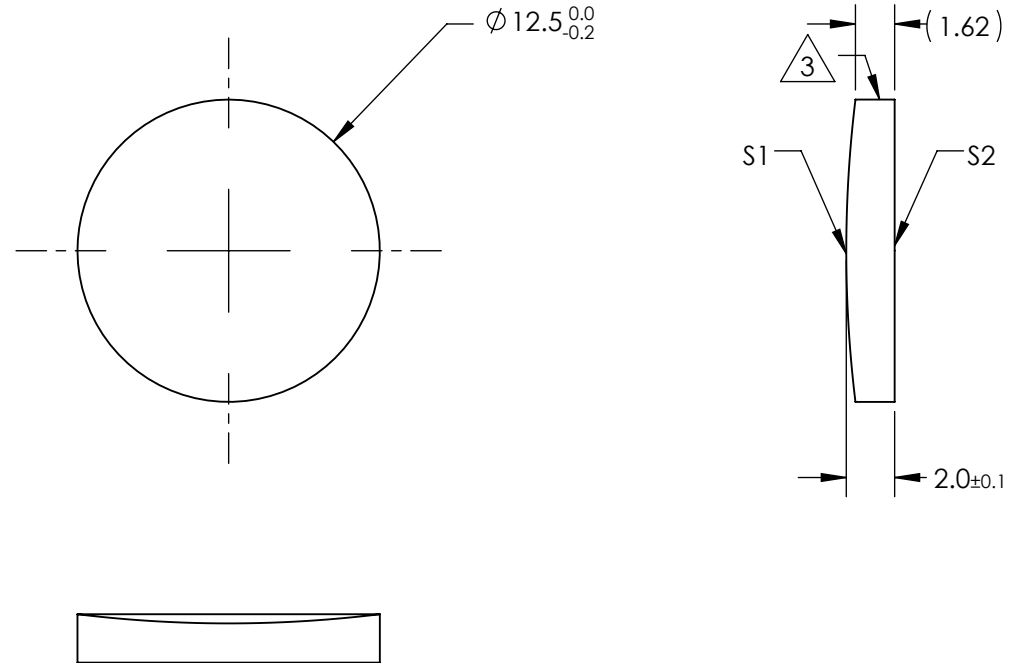
S1 & S2:
LASER V-COAT

R(abs) <0.25% @ 405nm
R(avg) <1.5% @ 375 - 435nm

 3. FINE GROUND SURFACE


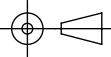
4. POWER, IRREGULARITY, AND SURFACE QUALITY SPECIFICATIONS APPLY ACROSS CLEAR APERTURE

5. RoHS COMPLIANT



**FOR INFORMATION ONLY:
DO NOT MANUFACTURE
PARTS TO THIS DRAWING**

SPECIFICATIONS SUBJECT TO CHANGE WITHOUT NOTICE
DIMENSIONS ARE FOR REFERENCE ONLY

REV. A	S1	S2					
SHAPE	CONVEX	PLANO	EFL	100±3%	 Edmund Optics®		
RADIUS	51.68	∞	BFL	(98.68)			
SURFACE QUALITY	60-40	60-40			TITLE	12.5mm DIA X 100.0mm FL 405nm V-COAT, CYLINDER LENS	
CLEAR APERTURE	∅ 11.50	∅ 11.50			ALL DIMS IN	mm	DWG NO
COATING APERTURE	∅ 11.50	∅ 11.50					SHEET 1 OF 1
BEVEL	PROTECTED AS NEEDED	PROTECTED AS NEEDED					