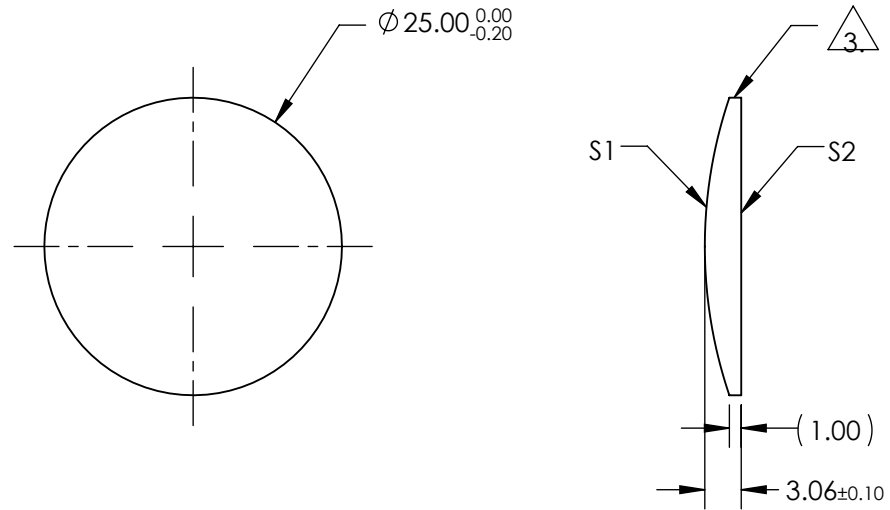


NOTES:

1. SUBSTRATE MATERIAL:  
N-BK7
2. COATING (APPLY ACROSS CLEAR APERTURE)  
  
S1 & S2: NONE


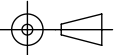
3. FINE GROUND SURFACE

4. RoHS COMPLIANT



**FOR INFORMATION ONLY:  
DO NOT MANUFACTURE  
PARTS TO THIS DRAWING**

SPECIFICATIONS SUBJECT TO CHANGE WITHOUT NOTICE  
DIMENSIONS ARE FOR REFERENCE ONLY

	S1	S2	EFL	75.00	 <b>Edmund Optics®</b>		
SHAPE	CONVEX	PLANO	BFL	72.89			
RADIUS	38.89	INFINITY	THIRD ANGLE PROJECTION 		TITLE	25mm DIA X 75mm FL UNCOATED, CYLINDER LENS	
SURFACE QUALITY	60-40	60-40					
CLEAR APERTURE	$\varnothing 24.00$	$\varnothing 24.00$			DWG NO	46017	SHEET 1 OF 1
BEVEL	PROTECTIVE AS NEEDED	PROTECTIVE AS NEEDED	ALL DIMS IN	mm			