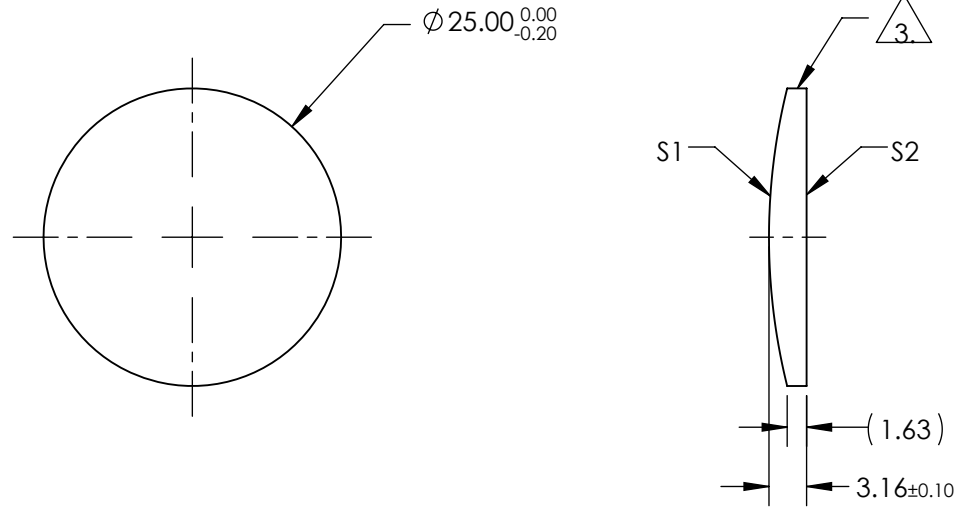


NOTES:

1. SUBSTRATE MATERIAL:  
N-BK7
2. COATING (APPLY ACROSS CLEAR APERTURE)  
  
S1 & S2: NONE


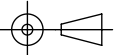
3.  FINE GROUND SURFACE

4. RoHS COMPLIANT



**FOR INFORMATION ONLY:  
DO NOT MANUFACTURE  
PARTS TO THIS DRAWING**

SPECIFICATIONS SUBJECT TO CHANGE WITHOUT NOTICE  
DIMENSIONS ARE FOR REFERENCE ONLY

	S1	S2	EFL	100.00	 <b>Edmund Optics®</b>	TITLE 25mm DIA X 100mm FL UNCOATED, CYLINDER LENS	
SHAPE	CONVEX	PLANO	BFL	97.98			
RADIUS	51.85	INFINITY	THIRD ANGLE PROJECTION 		DWG NO	46018	SHEET 1 OF 1
SURFACE QUALITY	60-40	60-40					
CLEAR APERTURE	Ø24.00	Ø24.00	ALL DIMS IN	mm			
BEVEL	PROTECTIVE AS NEEDED	PROTECTIVE AS NEEDED					