

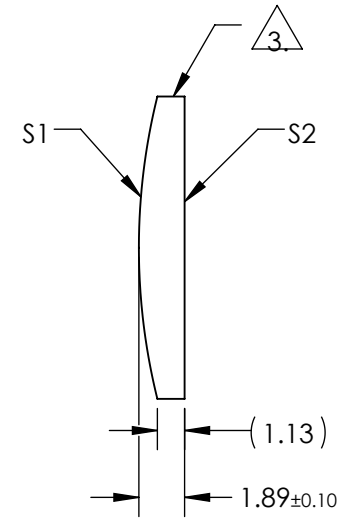
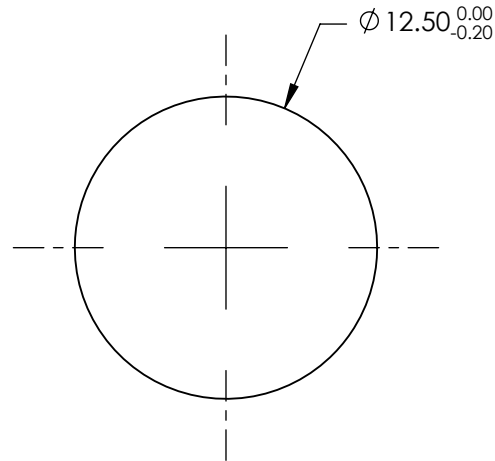
NOTES:

1. SUBSTRATE MATERIAL:
N-BK7
2. COATING (APPLY ACROSS CLEAR APERTURE)

S1 & S2: NONE


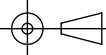
3. FINE GROUND SURFACE

4. RoHS COMPLIANT



**FOR INFORMATION ONLY:
DO NOT MANUFACTURE
PARTS TO THIS DRAWING**

SPECIFICATIONS SUBJECT TO CHANGE WITHOUT NOTICE
DIMENSIONS ARE FOR REFERENCE ONLY

| | | | | | | | |
|-----------------|----------------------|----------------------|--|-------|---|---|-----------------|
| | S1 | S2 | EFL | 50.00 |  Edmund Optics® | | |
| SHAPE | CONVEX | PLANO | BFL | 48.75 | | | |
| RADIUS | 25.93 | INFINITY | THIRD ANGLE PROJECTION  | | TITLE | 12.5mm DIA X 50mm FL UNCOATED, CYLINDER LENS | |
| SURFACE QUALITY | 60-40 | 60-40 | | | DWG NO | 46195 | SHEET 1 OF 1 |
| CLEAR APERTURE | Ø11.50 | Ø11.50 | ALL DIMS IN | mm | | | |
| BEVEL | PROTECTIVE AS NEEDED | PROTECTIVE AS NEEDED | | | | | |