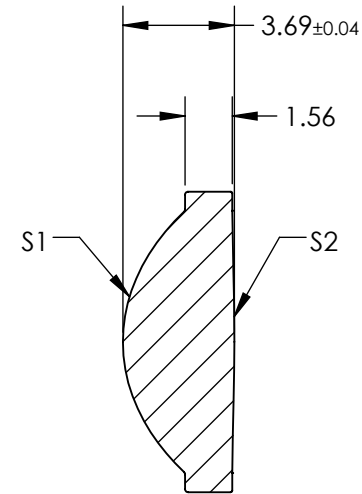
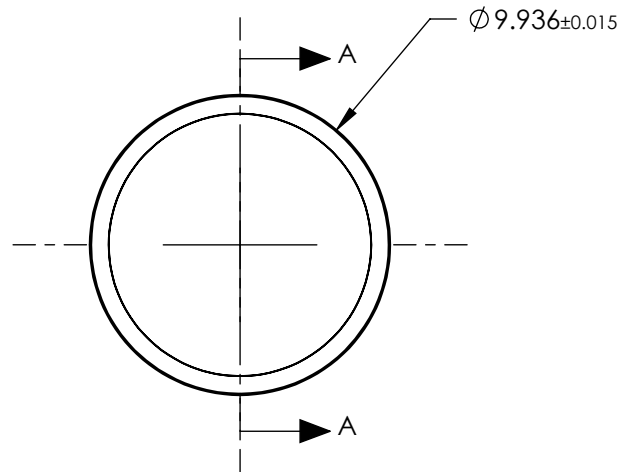


NOTES:

1. SUBSTRATE:
ECO 550
2. NUMERICAL APERTURE: 0.5
3. COATING
S1 & S2: R(AVG) ≤ 0.5% @ 350 - 700nm
4. FOCAL LENGTH TOLERANCE: ±1%
5. TRANSMITTED WAVEFRONT:
DIFFRACTION LIMITED


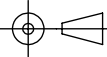


SECTION A-A

**FOR INFORMATION ONLY:
DO NOT MANUFACTURE
PARTS TO THIS DRAWING**

SPECIFICATIONS SUBJECT TO CHANGE WITHOUT NOTICE DIMENSIONS ARE FOR REFERENCE ONLY

	S1	S2
SHAPE	CONVEX	CONVEX
SURFACE QUALITY	40-20	40-20
CLEAR APERTURE	Ø8.00	Ø8.00
BEVEL MAX	PROTECTIVE AS NEEDED	PROTECTIVE AS NEEDED

EFL	8.00	 Edmund Optics®		
BFL	5.92			
THIRD ANGLE PROJECTION		TITLE	0.50 NA 8.00mm FL VIS AR COATED, MOLDED ASPHERIC LENS	
ALL DIMS IN	mm	DWG NO	47144	SHEET 1 OF 1