

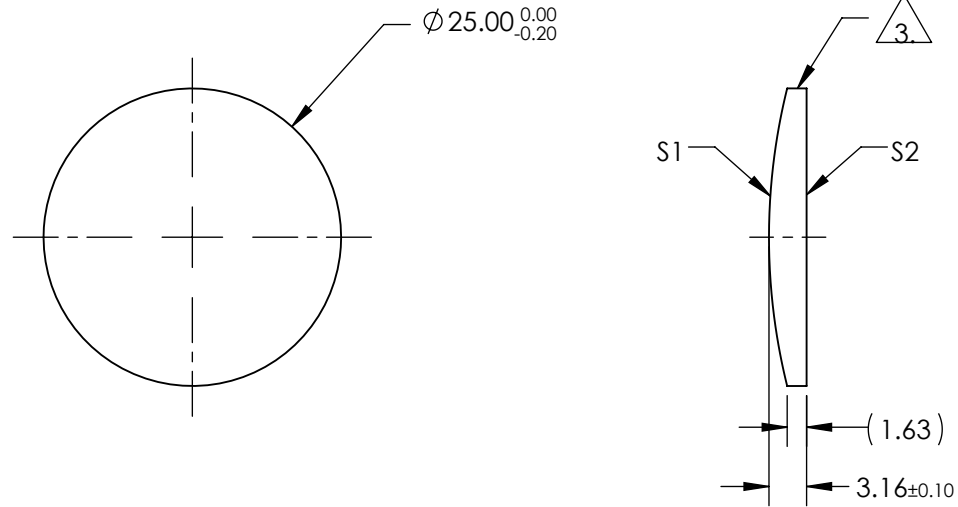
NOTES:

1. SUBSTRATE MATERIAL:  
N-BK7
2. COATING (APPLY ACROSS CLEAR APERTURE)

S1 & S2: MgF2 (400-700nm)  
R(AVG) ≤1.75% @ 400 - 700nm


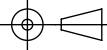
3. FINE GROUND SURFACE

4. RoHS COMPLIANT



**FOR INFORMATION ONLY:  
DO NOT MANUFACTURE  
PARTS TO THIS DRAWING**

SPECIFICATIONS SUBJECT TO CHANGE WITHOUT NOTICE  
DIMENSIONS ARE FOR REFERENCE ONLY

	S1	S2	EFL	100.00	 <b>Edmund Optics®</b>		
SHAPE	CONVEX	PLANO	BFL	97.98			
RADIUS	51.85	INFINITY	THIRD ANGLE PROJECTION 		TITLE	25mm DIA X 100mm FL MGF2 COATED, CYLINDER LENS	
SURFACE QUALITY	60-40	60-40			DWG NO	48360	SHEET 1 OF 1
CLEAR APERTURE	Ø24.00	Ø24.00	ALL DIMS IN	mm			
BEVEL	PROTECTIVE AS NEEDED	PROTECTIVE AS NEEDED					