

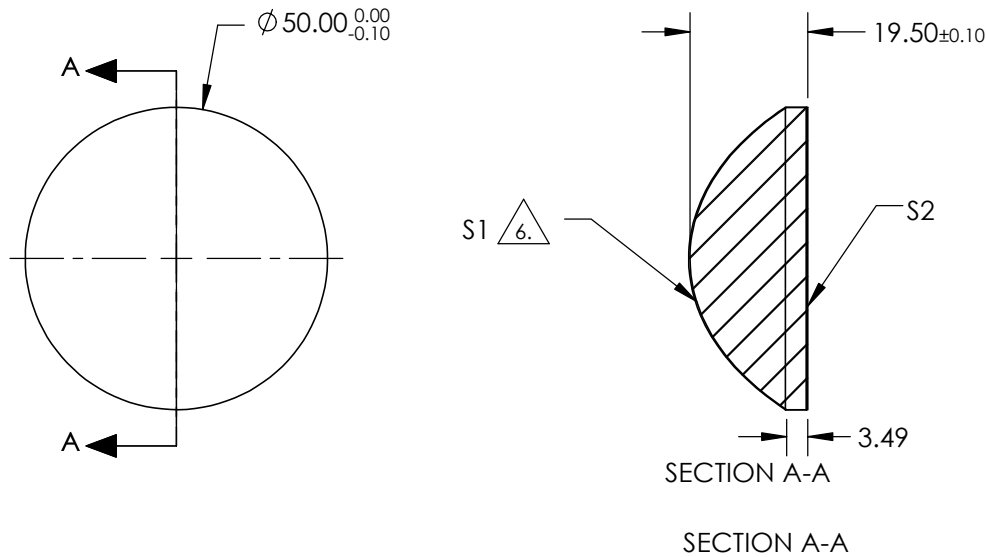
NOTES:

1. SUBSTRATE: FUSED SILICA
2. COATING (APPLY ACROSS CLEAR APERTURE)
 - S1: R(avg) ≤1.5% @ 600 - 1050nm
 - S2: R(avg) ≤1.5% @ 600 - 1050nm
3. EDGES: FINE GROUND
4. CENTERING: <3-5 ARCMIN
5. ASPHERE FIGURE ERROR: 0.75µm RMS

FOR INFORMATION ONLY:
DO NOT MANUFACTURE
PARTS TO THIS DRAWING

△ ASPHERIC SURFACE DESCRIBED BY (REF. COEFFICIENT TABLE)

$$Z_{ASPH}(Y) = \frac{(\frac{1}{RADIUS}) * Y^2}{1 + \sqrt{1 - (1+k) * (\frac{1}{RADIUS})^2 * Y^2}} + D * Y^2 + E * Y^4 + F * Y^6 + G * Y^8 + H * Y^{10} + J * Y^{12} + L * Y^{14}$$



COEFFICIENT TABLE △7	
COEFFICIENT	S1
k	-1.215776E+00
D	0
E	6.880041E-06
F	1.315975E-09
G	6.062407E-13
H	5.160185E-16
J	0
L	0

SPECIFICATIONS SUBJECT TO CHANGE WITHOUT NOTICE DIMENSIONS ARE FOR REFERENCE ONLY

REV. A	S1	S2	EFL @ 587.6nm	50	Edmund Optics®	
SHAPE	CONVEX	PLANO	BFL @ 587.6nm	36.63		
RADIUS	22.923	INFINITY	THIRD ANGLE PROJECTION		DWG NO	67282
SURFACE QUALITY	60-40	60-40	ALL DIMS IN mm		SHEET 1 OF 1	
CLEAR APERTURE	90%	90%				
BEVEL MAX	PROTECTIVE AS NEEDED	PROTECTIVE AS NEEDED				