

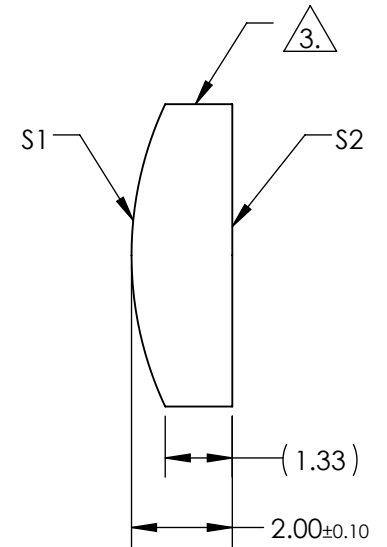
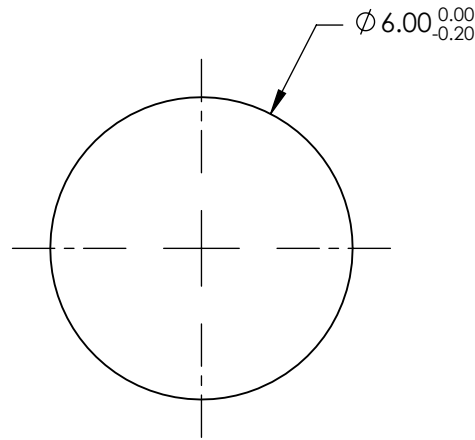
NOTES:

1. SUBSTRATE MATERIAL:  
N-SF11
2. COATING (APPLY ACROSS CLEAR APERTURE)

S1 & S2: MgF2 (400-700nm)  
R(AVG) ≤ 1.75% @ 400 - 700nm


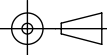
3. FINE GROUND SURFACE

4. RoHS COMPLIANT



**FOR INFORMATION ONLY:  
DO NOT MANUFACTURE  
PARTS TO THIS DRAWING**

SPECIFICATIONS SUBJECT TO CHANGE WITHOUT NOTICE  
DIMENSIONS ARE FOR REFERENCE ONLY

	S1	S2	EFL	9.00	 <b>Edmund Optics®</b>	TITLE 6mm DIA X 9mm FL MGF2 COATED, CYLINDER LENS	
SHAPE	CONVEX	PLANO	BFL	7.88			
RADIUS	7.06	INFINITY	THIRD ANGLE PROJECTION 	DWG NO 68039		SHEET 1 OF 1	
SURFACE QUALITY	60-40	60-40					
CLEAR APERTURE	Ø5.40	Ø5.40	ALL DIMS IN	mm			
BEVEL	PROTECTIVE AS NEEDED	PROTECTIVE AS NEEDED					