

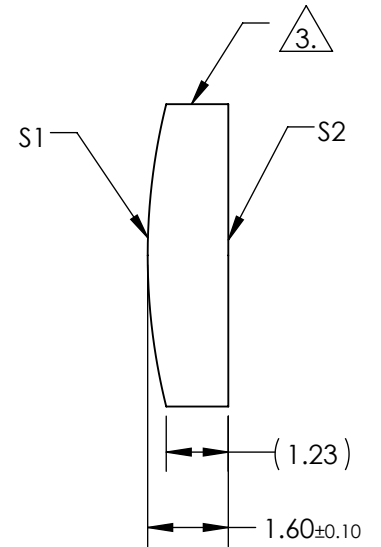
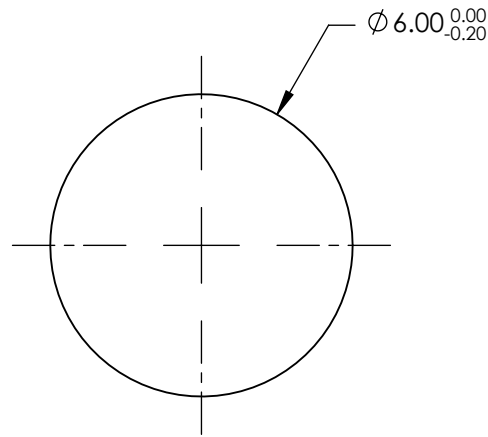
NOTES:

1. SUBSTRATE MATERIAL:  
N-BK7
2. COATING (APPLY ACROSS CLEAR APERTURE)

S1 & S2: MgF2 (400-700nm)  
R(AVG) ≤ 1.75% @ 400 - 700nm


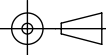
3. FINE GROUND SURFACE

4. RoHS COMPLIANT



**FOR INFORMATION ONLY:  
DO NOT MANUFACTURE  
PARTS TO THIS DRAWING**

SPECIFICATIONS SUBJECT TO CHANGE WITHOUT NOTICE  
DIMENSIONS ARE FOR REFERENCE ONLY

|                 |                      |                      |   |       |   |   |  |
|-----------------|----------------------|----------------------|---|-------|---|---|--|
|                 | S1                   | S2                   | EFL   | 24.00 |  <b>Edmund Optics®</b> |   |  |
| SHAPE           | CONVEX               | PLANO                | BFL   | 22.94 |   |   |  |
| RADIUS          | 12.40                | INFINITY             |  |       | TITLE   | 6mm DIA X 24mm FL MGF2 COATED,<br>CYLINDER LENS |  |
| SURFACE QUALITY | 60-40                | 60-40                |   |       |   |   |  |
| CLEAR APERTURE  | Ø5.40                | Ø5.40                |   |       | DWG NO  | 68042   |  |
| BEVEL           | PROTECTIVE AS NEEDED | PROTECTIVE AS NEEDED | ALL DIMS IN   | mm    |   |   |  |