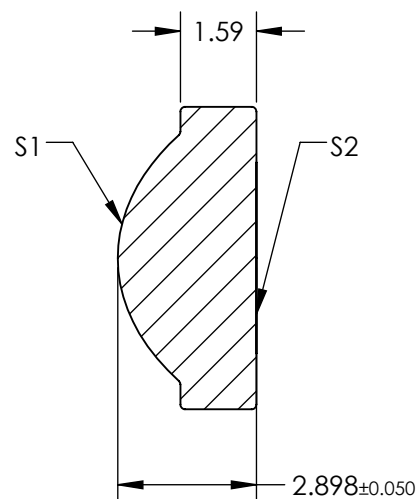
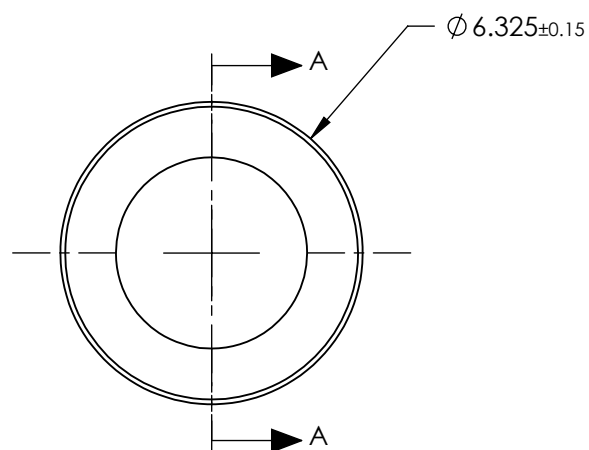


**NOTES:**


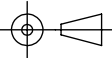
1. SUBSTRATE:  
D-LAK6
2. NUMERICAL APERTURE: 0.6
3. COATING  
S1 & S2: R(AVG) < 1.0% @ 350 - 500nm
4. FOCAL LENGTH TOLERANCE: ±1%
5. TRANSMITTED WAVEFRONT ERROR ( $\lambda$ , RMS): < 0.15



SECTION A-A

**FOR INFORMATION ONLY:  
DO NOT MANUFACTURE  
PARTS TO THIS DRAWING**

SPECIFICATIONS SUBJECT TO CHANGE WITHOUT NOTICE DIMENSIONS ARE FOR REFERENCE ONLY

	S1	S2	EFL	4.02	 <b>Edmund Optics®</b>
			BFL	2.41	
SHAPE	CONVEX	PLANO	THIRD ANGLE PROJECTION 	TITLE	405, 0.6 NA, BBAR COATED, ASPHERIC LENS
SURFACE QUALITY	40 - 20	40 - 20		DWG NO	83990
CLEAR APERTURE	Ø4.80	Ø4.80			
BEVEL MAX	PROTECTIVE AS NEEDED	PROTECTIVE AS NEEDED	ALL DIMS IN	mm	SHEET 1 OF 1