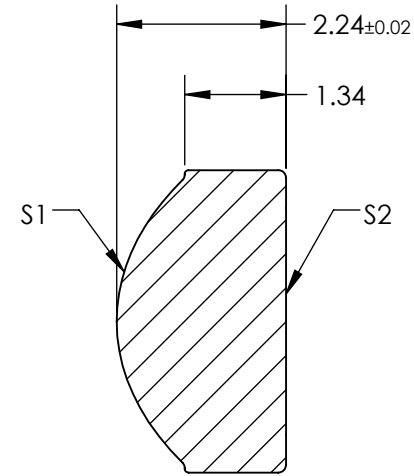
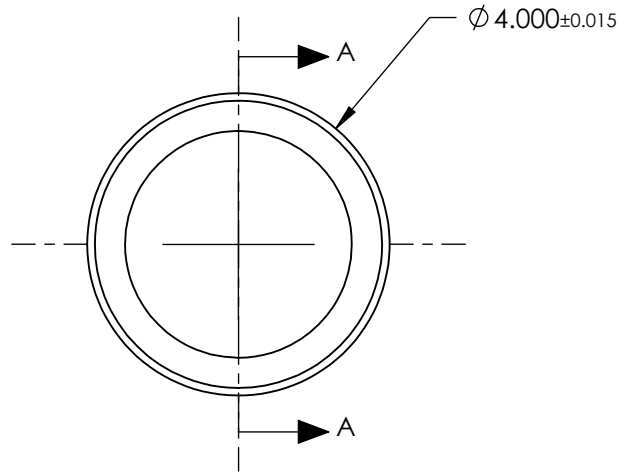


**NOTES:**


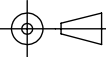
1. SUBSTRATE:  
D-ZLAF52LA
2. NUMERICAL APERTURE: 0.64
3. COATING  
S1 & S2: R(AVG) ≤ 0.5% @ 350 - 700nm
4. FOCAL LENGTH TOLERANCE: ±1%
5. TRANSMITTED WAVEFRONT:  
DIFFRACTION LIMITED



SECTION A-A

**FOR INFORMATION ONLY:  
DO NOT MANUFACTURE  
PARTS TO THIS DRAWING**

SPECIFICATIONS SUBJECT TO CHANGE WITHOUT NOTICE DIMENSIONS ARE FOR REFERENCE ONLY

	S1	S2	EFL	2.75	 <b>Edmund Optics®</b>	
	CONVEX	PLANO	BFL	1.50		
SHAPE	CONVEX	PLANO	THIRD ANGLE PROJECTION		TITLE	0.64 NA 2.75mm FL 350-700nm AR COATED, MOLDED ASPHERIC LENS
SURFACE QUALITY	40-20	40-20	ALL DIMS IN	mm	DWG NO	83626
CLEAR APERTURE	$\varnothing 3.60$	$\varnothing 3.60$				SHEET 1 OF 1
BEVEL MAX	PROTECTIVE AS NEEDED	PROTECTIVE AS NEEDED				