

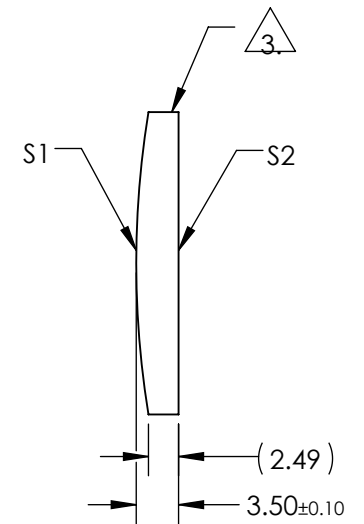
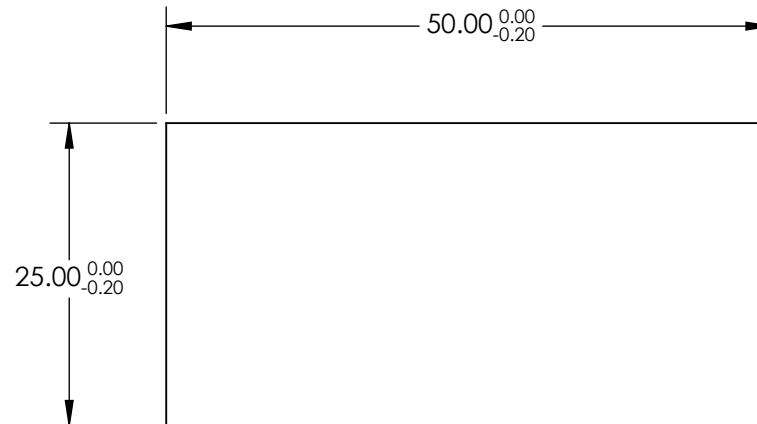
NOTES:

1. SUBSTRATE MATERIAL:
N-BK7
2. COATING (APPLY ACROSS CLEAR APERTURE)

S1 & S2: NONE


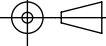
3.  FINE GROUND SURFACE

4. RoHS COMPLIANT



**FOR INFORMATION ONLY:
DO NOT MANUFACTURE
PARTS TO THIS DRAWING**

SPECIFICATIONS SUBJECT TO CHANGE WITHOUT NOTICE
DIMENSIONS ARE FOR REFERENCE ONLY

	S1	S2	EFL	150.00	 Edmund Optics®		
SHAPE	CONVEX	PLANO	BFL	147.70			
RADIUS	77.78	INFINITY			TITLE	25mm H X 50mm L X 150mm FL UNCOATED, CYLINDER LENS	
SURFACE QUALITY	60-40	60-40					
CLEAR APERTURE	24.00 x 49.00	24.00 x 49.00	ALL DIMS IN	mm	DWG NO	46024	SHEET 1 OF 1
BEVEL	PROTECTIVE AS NEEDED	PROTECTIVE AS NEEDED					