

NOTES:

1. SUBSTRATE MATERIAL:  
N-BK7

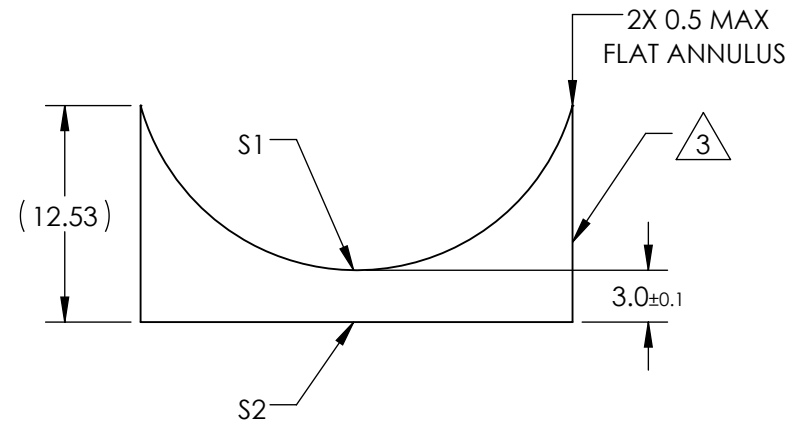
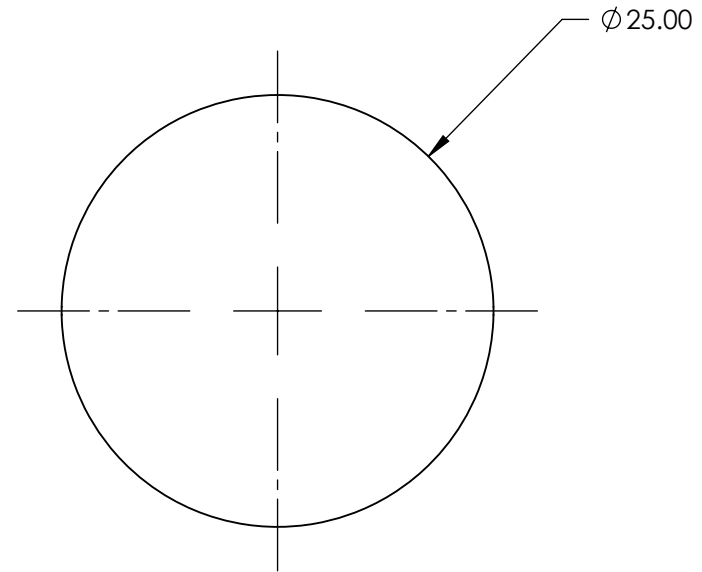
2. COATING (APPLY ACROSS CLEAR APERTURE)

S1 & S2: NONE

3. FINE GROUND SURFACE


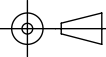
4. POWER, IRREGULARITY, AND SURFACE QUALITY SPECIFICATIONS APPLY ACROSS CLEAR APERTURE

5. RoHS COMPLIANT



**FOR INFORMATION ONLY:  
DO NOT MANUFACTURE  
PARTS TO THIS DRAWING**

SPECIFICATIONS SUBJECT TO CHANGE WITHOUT NOTICE  
DIMENSIONS ARE FOR REFERENCE ONLY

REV. A	S1	S2	EFL	-25	 <b>Edmund Optics®</b>		
SHAPE	CONVEX	PLANO	BFL	-26.97			
RADIUS	-12.96	∞	THIRD ANGLE PROJECTION  TITLE 25mm DIA X -25mm FL UNCOATED, CYLINDER LENS				
SURFACE QUALITY	60-40	60-40					
CLEAR APERTURE	Ø24.00	Ø24.00	ALL DIMS IN	mm	DWG NO	46196	SHEET 1 OF 1
COATING APERTURE	Ø24.00	Ø24.00					
BEVEL	PROTECTED AS NEEDED	PROTECTED AS NEEDED					