

NOTES:

1. SUBSTRATE MATERIAL:  
N-BK7

2. COATING (APPLY ACROSS CLEAR APERTURE)

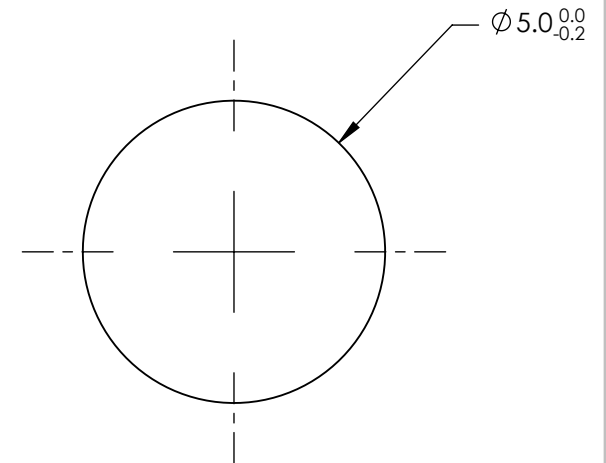
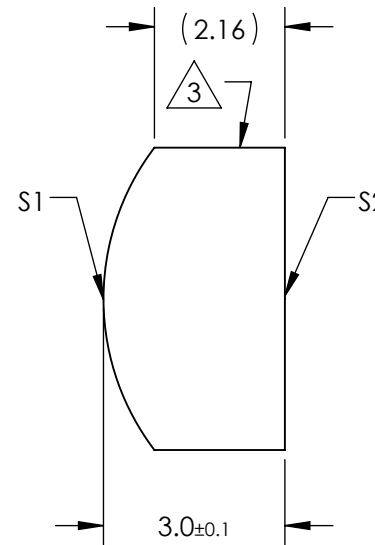
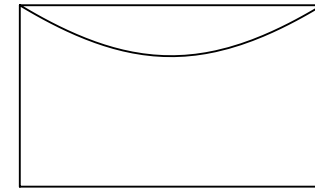
S1 & S2: MgF2

R(avg) ≤ 1.75% @ 400 - 700nm

3. FINE GROUND SURFACE


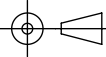
4. POWER, IRREGULARITY, AND SURFACE QUALITY SPECIFICATIONS APPLY ACROSS CLEAR APERTURE

5. RoHS COMPLIANT



**FOR INFORMATION ONLY:  
DO NOT MANUFACTURE  
PARTS TO THIS DRAWING**

SPECIFICATIONS SUBJECT TO CHANGE WITHOUT NOTICE  
DIMENSIONS ARE FOR REFERENCE ONLY

REV. A	S1	S2	EFL	8	 <b>Edmund Optics®</b>		
SHAPE	CONVEX	PLANO	BFL	5.72			
RADIUS	4.13	∞	THIRD ANGLE PROJECTION 		TITLE	5mm DIA X 8mm FL MgF2 COATED, CYLINDER LENS	
SURFACE QUALITY	60-40	60-40	ALL DIMS IN	mm	DWG NO	47760	
CLEAR APERTURE	Ø4.00	Ø4.00					SHEET 1 OF 1
COATING APERTURE	Ø4.00	Ø4.00					
BEVEL	PROTECTED AS NEEDED	PROTECTED AS NEEDED					