

NOTES:

1. SUBSTRATE MATERIAL:
N-BK7

2. COATING (APPLY ACROSS CLEAR APERTURE)

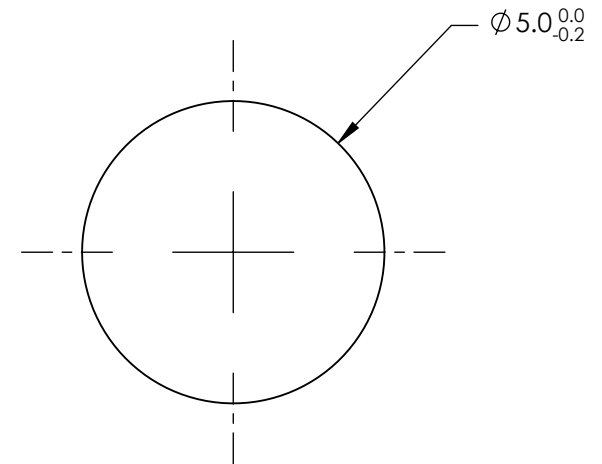
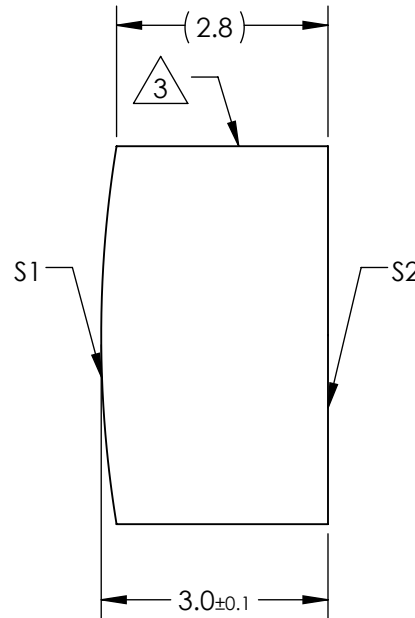
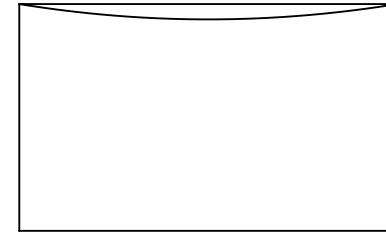
S1 & S2: MgF2

R(avg) ≤1.75% @ 400 - 700nm

3. FINE GROUND SURFACE


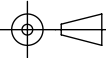
4. POWER, IRREGULARITY, AND SURFACE QUALITY SPECIFICATIONS APPLY ACROSS CLEAR APERTURE

5. RoHS COMPLIANT



**FOR INFORMATION ONLY:
DO NOT MANUFACTURE
PARTS TO THIS DRAWING**

SPECIFICATIONS SUBJECT TO CHANGE WITHOUT NOTICE
DIMENSIONS ARE FOR REFERENCE ONLY

REV. A	S1	S2	EFL	30	 Edmund Optics®	
SHAPE	CONVEX	PLANO	BFL	28.02		
RADIUS	15.5	∞			DWG NO	47761
SURFACE QUALITY	60-40	60-40			ALL DIMS IN	mm
CLEAR APERTURE	Ø4.00	Ø4.00				
COATING APERTURE	Ø4.00	Ø4.00				
BEVEL	PROTECTED AS NEEDED	PROTECTED AS NEEDED				